

GREENPRO®

GREENPRO®

ENJOY THE WARMTH
OF LIFE

享受温暖的生活!

**PROFESSIONAL
CIRCULATING PUMP
MANUFACTURER**

专业屏蔽泵制造商



**HIGH EFFICIENCY INTELLIGENT
CIRCULATING PUMP**

ZHEJIANG WIGO PUMP CO.,LTD

Add: NO.2 SHENGDA ROAD, ZEGUO TOWN, WENLING
CITY, ZHEJIANG PR., CHINA.

Tel:0086-576-86353328 / 86353327

Fax:0086-576-86353228

E-mail:info@wigopump.com

www.greenpro.cn

CE TUV GS ISO 9001

GREENPRO[®]

PROFESSIONAL CIRCULATING
PUMP MANUFACTURER

GREENPRO[®]
CE  ISO 9001

GROWTH COURSE

成长历程

since 2001-2021

2001
—
2003

Started from a small factory which produced Booster Pump's spare parts.

2004

Founded Wenling Wigo Pump Factory, and started to produce circulation pumps' spare parts and the whole circulation pumps.

2005
—
2007

Started to export circulation pumps through trading companies to overseas

2008

Change the name to Zhejiang Wigo Pump Co., Ltd, and started to export circulation pumps by ourself.

2009
—
2021

Became one of the biggest manufacturer of circulation pumps in China. And annual production capacity is over one million pieces.

GREENPRO®

CE  ISO 9001



Full-automatic production line

COMPANY PROFILE

企业简介

浙江威格泵业有限公司，创建于1998年，坐落于中国的泵业制造小镇-浙江省温岭市大溪镇。我司专业从事屏蔽泵、壁挂炉专用泵的研发、生产以及出口18年之久，目前年产量已达到210万台。

我司严格按照ISO9001:2015质量管理体系，依据不同国家和地区的法规，相关产品相继通过了CCC、CQC、GS、CE、RoHS、REACH、TUV ERP等多项认证，以确保产品安全、稳定、可靠、耐用，并符合当地的法律法规要求。

2016年我公司自行研发的全自动安装流水线正式投入生产，从零配件到整体的水泵组装，全部采用机械手。我们目前厂房1万平方米，在建新厂房占地4万平方米，新厂房将增加4条全自动安装生产线，并采用最新技术，立体仓库，数据化的生产管理，以提高整体的生产效率和产品质量的稳定性。

我司作为中国屏蔽电泵行业标准的起草单位，“国家级高新技术企业”和“市重点工业企业20强”矢志不渝的坚持以客户需求为导向，致力于为全球客户研发、提供高品质的产品和贴心的售后服务。

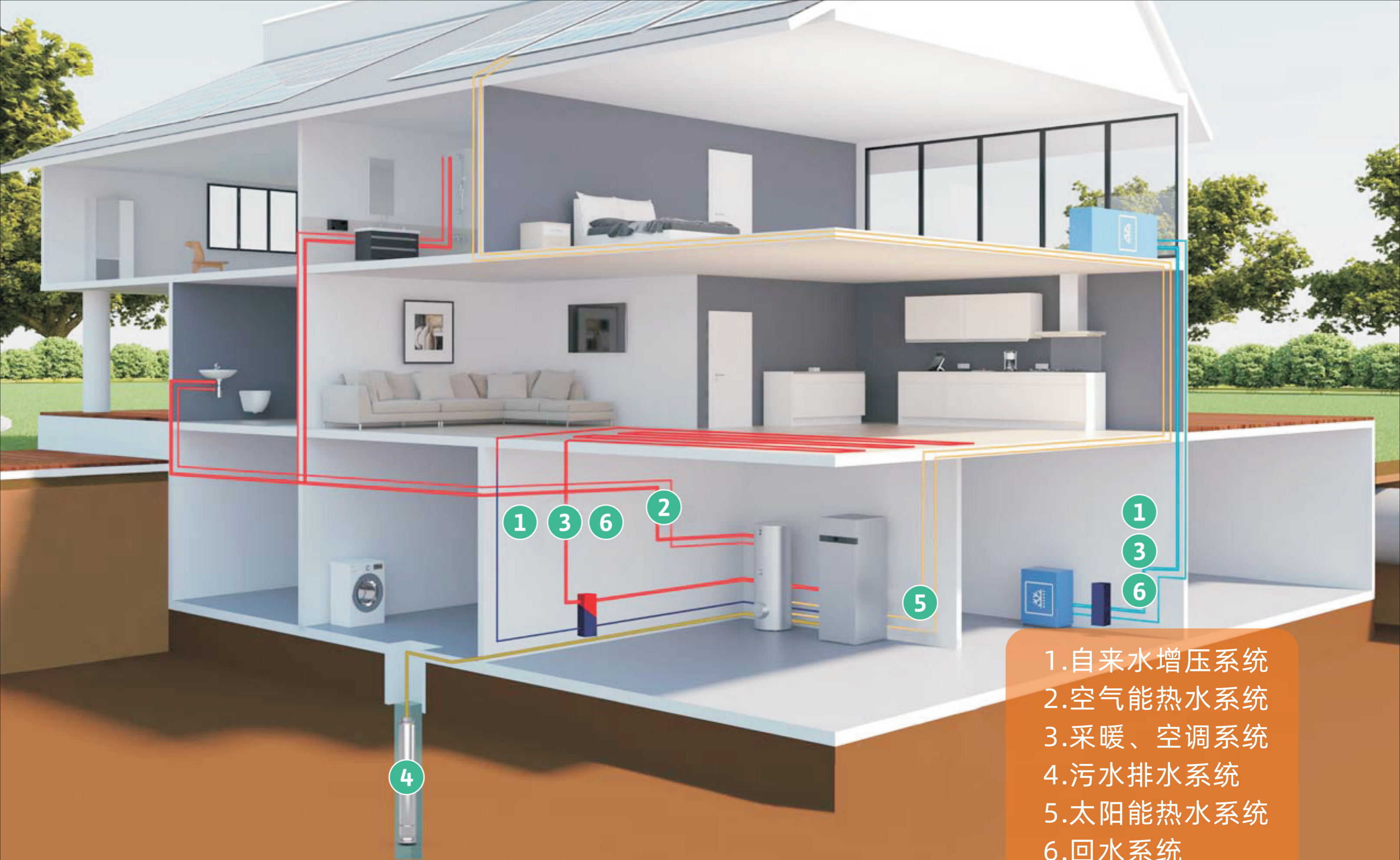
ZHEJIANG WIGO PUMP CO.,LTD. was established in 1998,located at Zeguo Town, Wenling,Zhejiang Province,is known for the manufacturing of water pumps. We have been dedicated to research, develop, manufacture and export circulating pumps and pump for wall-hungboilers for 15 years.The annual output is over 2.1 million.

The company operates in strict accordance with ISO9001: 2015 management system,meets the regulations of different countries. Has obtained CCC,CQC,GS ,CE, RoHS, REACH,TUVERP and other certificates. Those certificates ensure steadiness, reliability, efficiency and durability of our produce quality.

We developed our own full-automatic assembly line and put it into production since 2016,which can assemble each accessory to the whole pump by the manipulator. The current plant covers 10,000 square meters. As for the new plant that is under construction, it covers 40,000 square meters with four additional automatic assembly lines and automatic storage & retrieval system, digital management of production to improve the production efficiency and quality stability.

As “High-tech enterprise” and “Top 20 Municipal key industrial enterprise” ,we are always adhere to pursue perfection, provide the vast clients with best products and more considerate after-sales service.





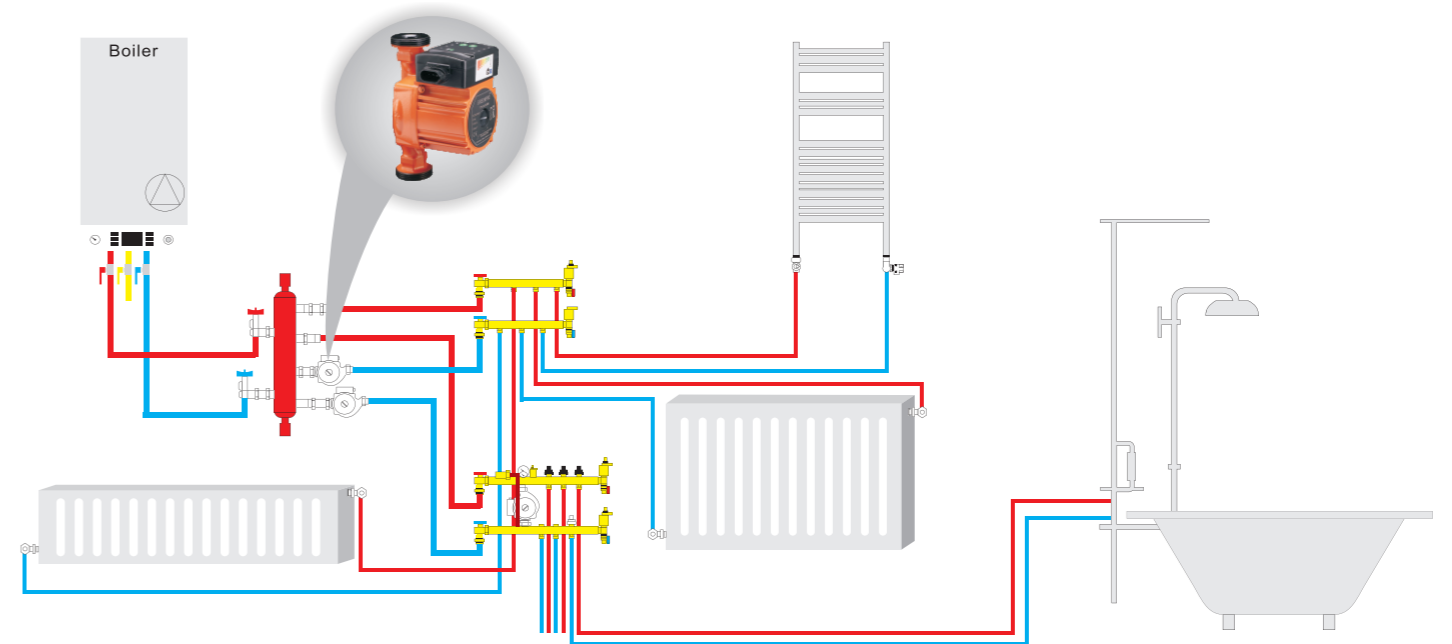
- 1. 自来水增压系统
- 2. 空气能热水系统
- 3. 采暖、空调系统
- 4. 污水排水系统
- 5. 太阳能热水系统
- 6. 回水系统

CERTIFICATIONS

资质证书



GREENPRO



使用环境

1. 安装在供暖循环系统
2. 最大系统压力：10bar
3. 运行条件：
 - 环境温度：0℃~40℃
 - 环境湿度：<95%
 - 液体温度：2℃~95℃
 - 环境温度低于液体温度，防止电机内部出现冷凝液体
4. 液体材质：非腐蚀性，非易爆液体，不含固体颗粒，纤维以及矿物油。水：乙醇:1:1
5. 使用要求：无水运转不得超过10min

Operation condition:

1. Apply to heating system
2. Max. system pressure:10bar
3. Operation condition:
 - Ambient Temperature:0℃~40℃
 - Ambient Humidity:95%
 - Liquid Temperature:2℃~95℃
 - Ambient temperature must be lower than liquid temperature, in order to avoid condensate water produced in the interior of stator.
4. Liquid : Clean, non-coorsive and non-explosive liquids, without any particle ,fiber or mineral oil. Water/glycol mixtures max. mixing ratio:1:1
5. Dry running no more than 10min

CONTENTS

产品目录

CE TUV GS ISO 9001



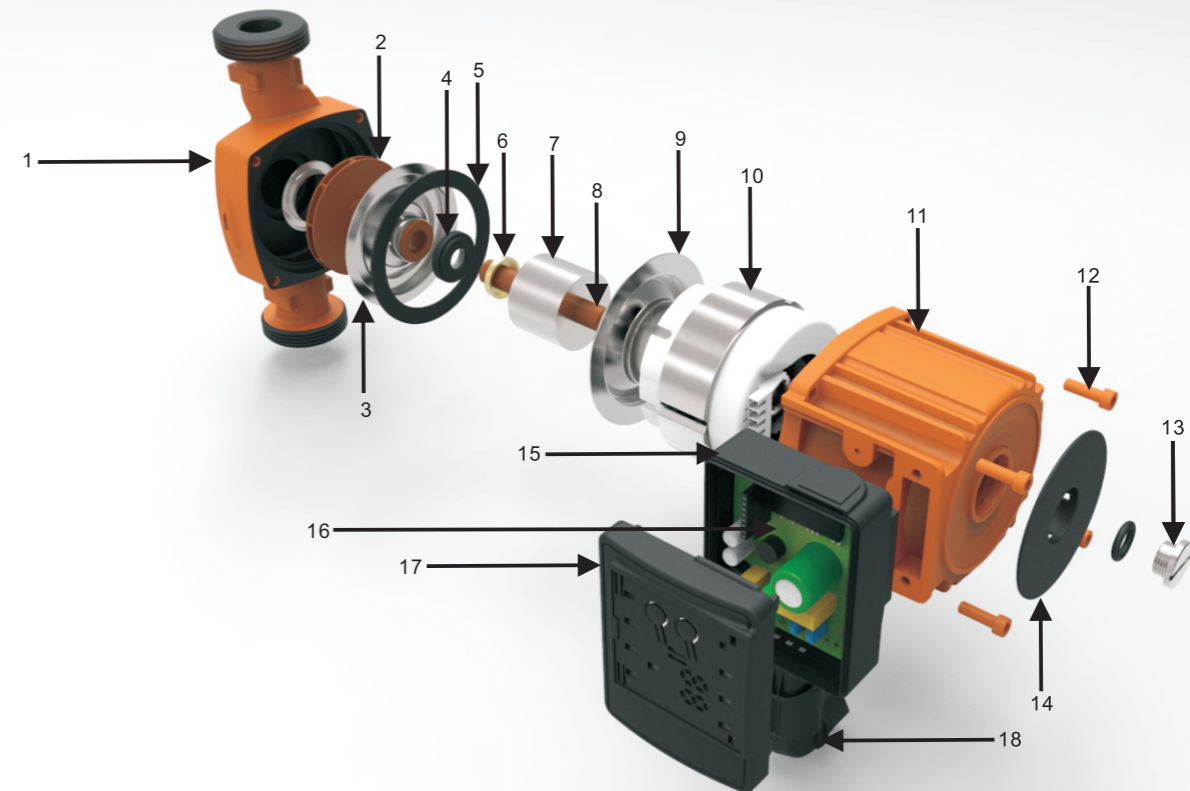
智能高效循环泵

HIGH EFFICIENCY INTELLIGENT CIRCULATING PUMP

EA EAB	-----PAGE02-06
EAD	-----PAGE07-09
EAK	-----PAGE10-12
RS25/8EA RS25/10EA RS32/8EA RS32/10EA	-----PAGE13-15
RS12/1.2EM RS12/1.2EMB	-----PAGE16-19
WGZ15/45EA	-----PAGE 20-21
WGZ15/45EAB	-----PAGE 22-23
WGZ15/35EA	-----PAGE 24-25
WGZ15/35EAB	-----PAGE 26-27
WGZ15/20EA	-----PAGE 28-29
RS600EA	-----PAGE 30-31
RS25/6EAY	-----PAGE 32-36
RS25/8EAX	-----PAGE 37-38
RS25/8EAX-A	-----PAGE 39
RS25/8EAY-W RS25/12EA-W	-----PAGE 40-41

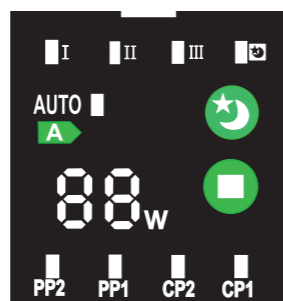
GREENPRO[®]

**HIGH EFFICIENCY INTELLIGENT
CIRCULATING PUMP**

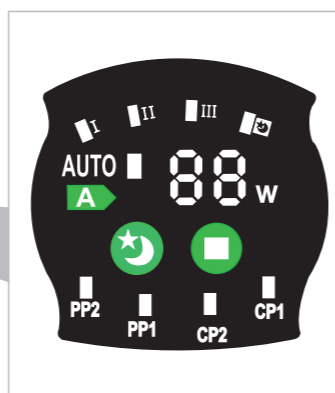


序号	配件		材料	
1	泵头	Pump body	铸铁	Cast iron
2	叶轮	Impeller	PES	PES
3	不锈钢盖	Stainless steel cover	不锈钢	304SS
4	止推片	Thrust gasket	石墨	Graphit
5	密封皮垫	Gasket	橡胶	Rubber
6	铜挡圈	Brass bearing	铜	Brass
7	转子	Rator	铜&不锈钢	SS&Copper
8	陶瓷轴	Ceramic shafting	陶瓷	Ceramic
9	屏蔽套	Shielding	不锈钢	304SS
10	定子	Stator	矽钢片&铜	Silicon steel&Copper
11	机筒	Motor housing	铝	Aluminum
12	内六角螺丝	Hexagon socket screws	不锈钢	Stainless steel
13	排气螺丝	Exhaust screw	铜	Brass
14	铭牌	Nameplate	尼龙	Nylon
15	接线盒底座	Seat of terminal box	尼龙	Nylon
16	控制面板	PCB		
17	接线盒上盖	Cover of termial box	尼龙	Nylon

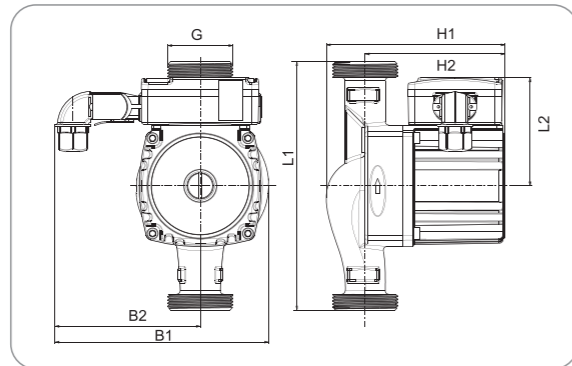
EA Series High efficiency intelligent circulating pump



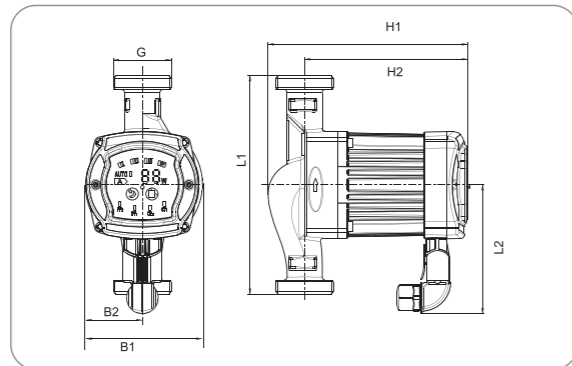
EAB Series High efficiency intelligent circulating pump



Setting	pump curve	Function
PP1	Lowest proportional-pressure curve	The duty point of the pump will move up or down on the lowest proportional-pressure curve, depending on heating demand. The head (pressure is reduced at falling heating demand and increased at rising heating demand)
PP2	Highest proportional-Pressure curve	The duty point of the pump will move up or down on the highest proportional-pressure curve, depending on heating demand. The head (pressure is reduced at falling heating demand and increased at rising heating demand)
CP1	Lowest constant-Pressure curve	The duty point of the pump will move out or in constant-pressure curve, depending on the heating demand. The head (pressure) is kept constant, irrespective of the heating demand.
CP2	Highest constant-Pressure curve	The duty point of the pump will move out or in constant-pressure curve, depending on the heating demand. The head (pressure) is kept constant, irrespective of the heating demand.
III	Speed III	Pump runs at a constant speed and consequently on a constant curve. In speed III, the pump is set to run on the Max. curve under all operating conditions. Quick venting of the pump can be obtained by setting the pump to speed III for a short period.
II	Speed II	Pump runs at a constant speed and consequently on a constant curve. In speed II, the pump is set to run on the Medium curve under all operating conditions.
I	Speed I	Pump runs at a constant speed and consequently on a constant curve. In speed I, the pump is set to run on the Min. curve under all operating conditions.
AUTO (EX-factory Setting)		Under "AUTO" mode, the power of pump automatically be up or down according to flow of system in certain condition.
night mode		Pump runs select to night mode, after one hour the power automatically down, after two hours, it will be down lowest between 5-10watt, after seven hours, the pump auto mode eliminate and recovery to original condition.

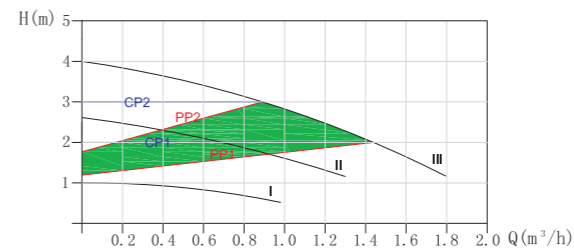


Model	Power (W)	Max.Flow (m³/h)	Max.Head (m)	Voltage (V)	Mater of pump body				Dimension(mm)							Weight (Kg)	
					Cast Iron	Plastic	Brass	Stainless steel	L1		L2	B1	B2	H1	H2		G
									130	180							
RS15/4EA	5~22	1.8	4	220/50	●		●	●	●	●	80	155	105	129	101	1"	2.1
RS25/4EA		2.6			●	●	●	●	80	155	105	129	101	1 1/2"	2.3		
RS32/4EA		3			●	●	●	●	80	155	105	129	101	2"	2.4		
RS15/5EA	5~32	2.3	5		●		●	●	●	●	80	155	105	129	101	1"	2.1
RS25/5EA		3.1			●	●	●	●	80	155	105	129	101	1 1/2"	2.3		
RS32/5EA		3.4			●	●	●	●	80	155	105	129	101	2"	2.4		
RS15/6EA	5~45	2.4	6		●		●	●	●	●	80	155	105	129	101	1"	2.1
RS25/6EA		3.6			●	●	●	●	80	155	105	129	101	1 1/2"	2.3		
RS32/6EA		3.6			●	●	●	●	80	155	105	129	101	2"	2.4		
RS15/7EA	5~47	2.7	7		●		●	●	●	●	80	155	105	129	101	1"	2.1
RS25/7EA		3.7			●	●	●	●	80	155	105	129	101	1 1/2"	2.3		
RS32/7EA		3.7			●	●	●	●	80	155	105	129	101	2"	2.4		

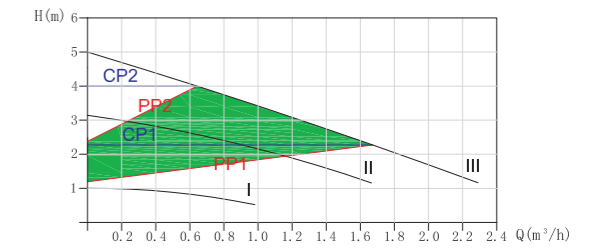


Model	Power (W)	Max.Flow (m³/h)	Max.Head (m)	Voltage (V)	Mater of pump body				Dimension(mm)							Weight (Kg)	
					Cast Iron	Plastic	Brass	Stainless steel	L1		L2	B1	B2	H1	H2		G
									130	180							
RS15/4EAB	5~22	1.8	4	220/50	●		●	●	●	●	106	96	46	165	136	1"	2.1
RS25/4EAB		2.6			●	●	●	●	106	96	46	165	136	1 1/2"	2.3		
RS32/4EAB		3			●	●	●	●	106	96	46	165	136	2"	2.5		
RS15/5EAB	5~32	2.3	5		●		●	●	●	●	106	96	46	165	136	1"	2.1
RS25/5EAB		3.1			●	●	●	●	106	96	46	165	136	1 1/2"	2.3		
RS32/5EAB		3.4			●	●	●	●	106	96	46	165	136	2"	2.5		
RS15/6EAB	5~45	2.4	6		●		●	●	●	●	106	96	46	165	136	1"	2.1
RS25/6EAB		3.6			●	●	●	●	106	96	46	165	136	1 1/2"	2.3		
RS32/6EAB		3.6			●	●	●	●	106	96	46	165	136	2"	2.5		
RS15/7EAB	5~47	2.7	7		●		●	●	●	●	106	96	46	165	136	1"	2.1
RS25/7EAB		3.7			●	●	●	●	106	96	46	165	136	1 1/2"	2.3		
RS32/7EAB		3.7			●	●	●	●	106	96	46	165	136	2"	2.5		

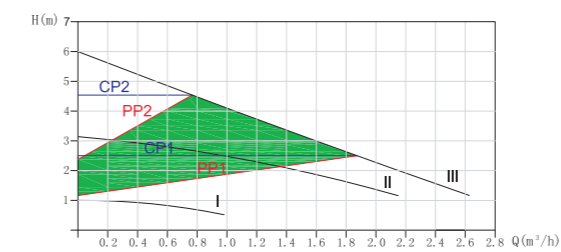
15/4EA 15/4EAB



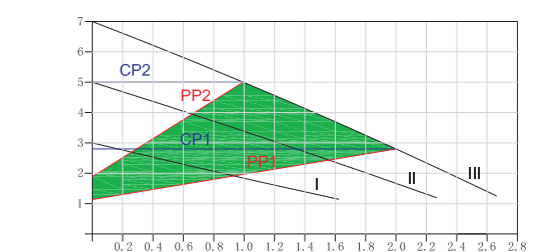
15/5EA 15/5EAB



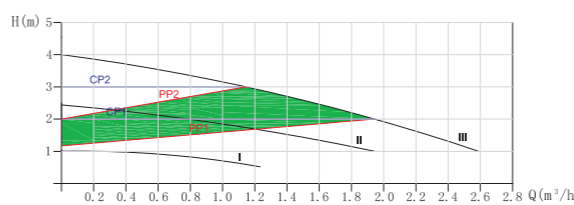
15/6EA 15/6EAB



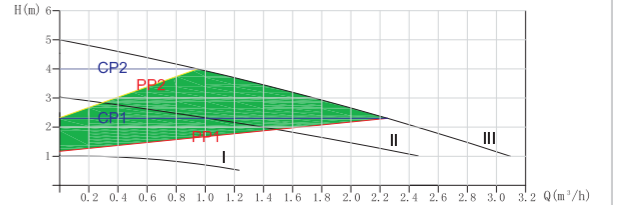
15/7EA 15/7EAB



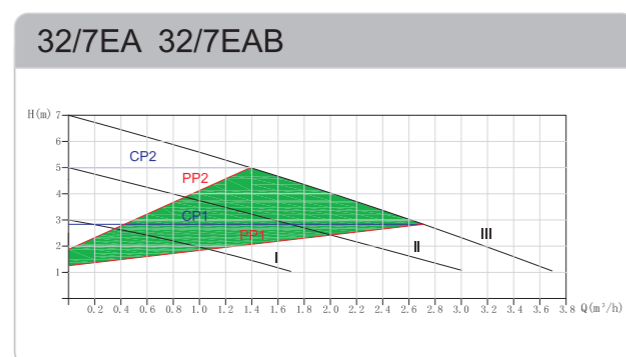
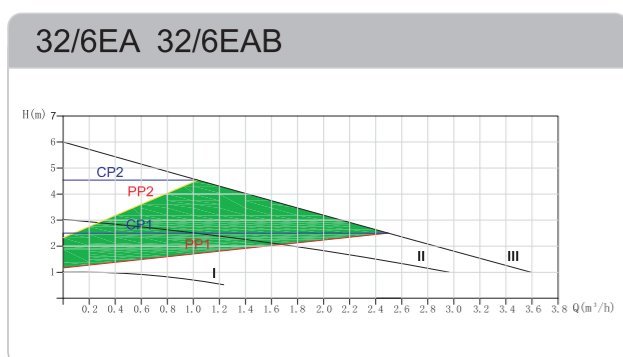
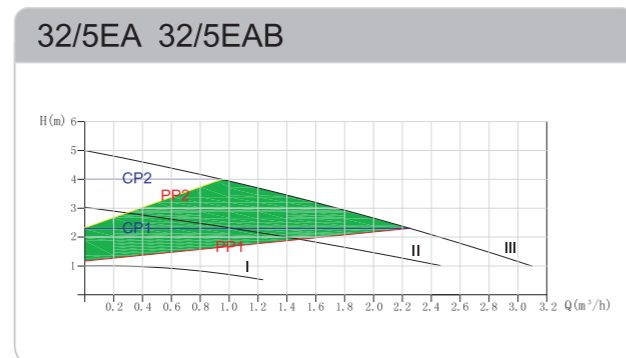
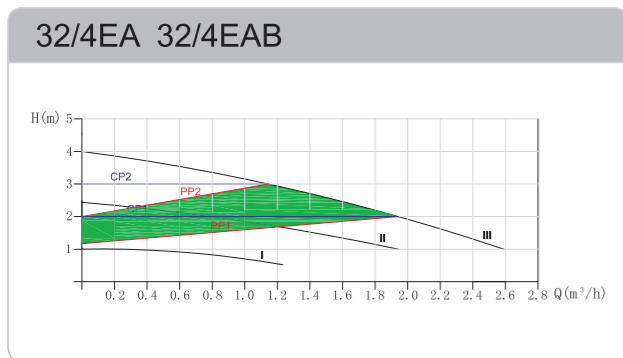
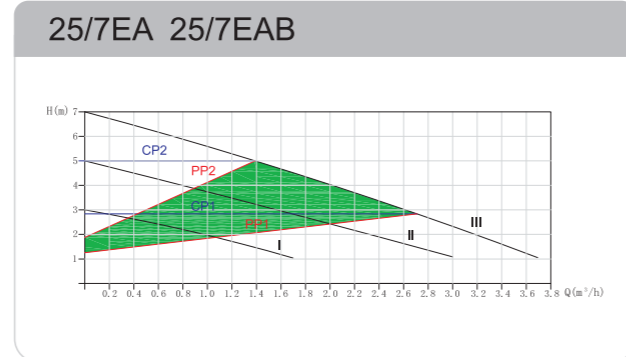
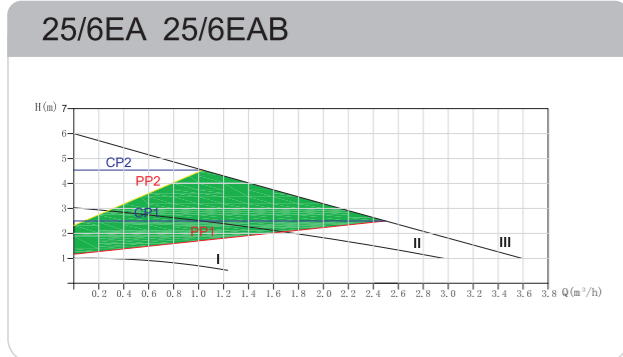
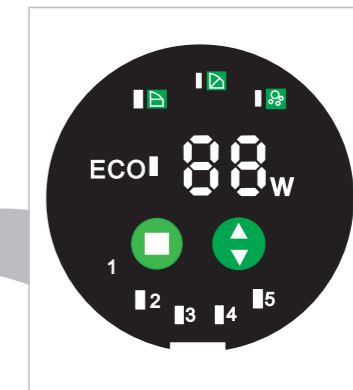
25/4EA 25/4EAB



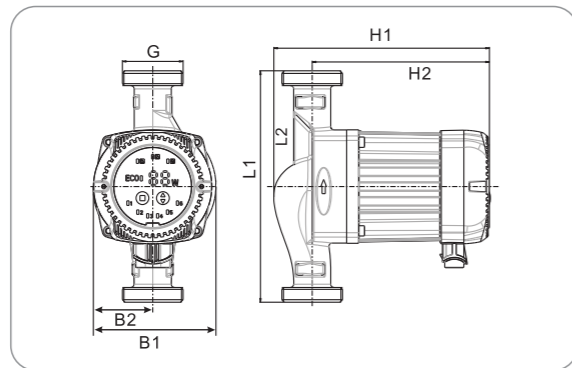
25/5EA 25/5EAB



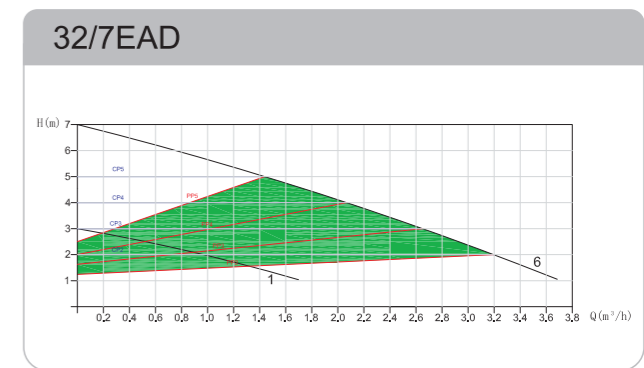
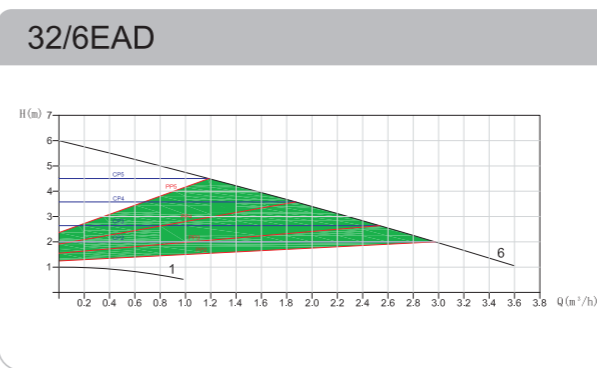
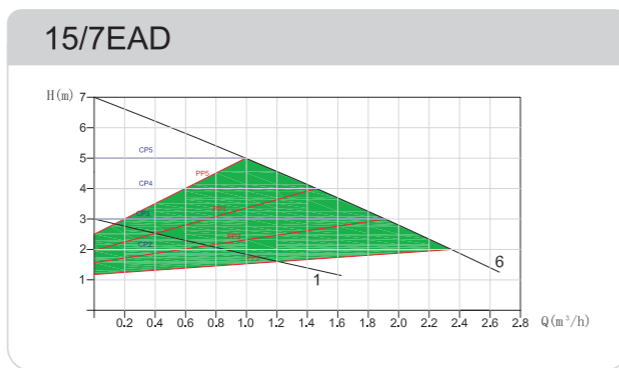
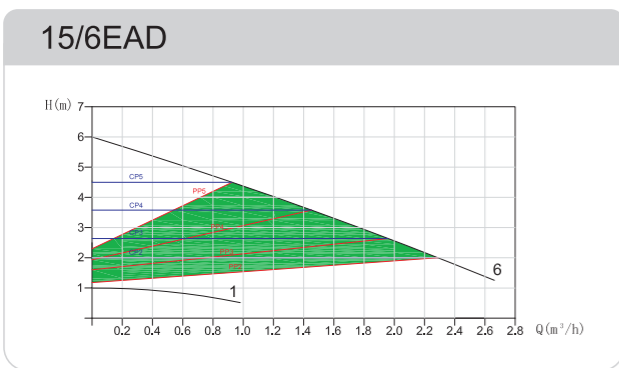
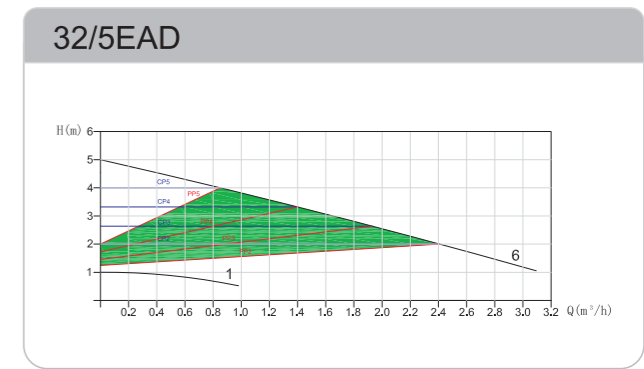
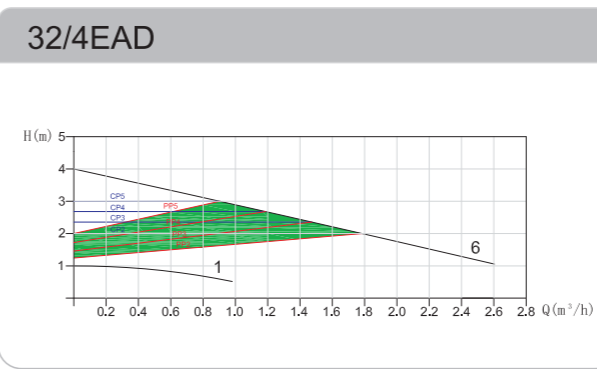
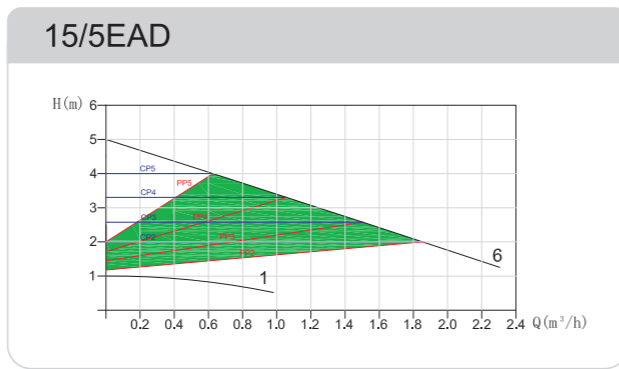
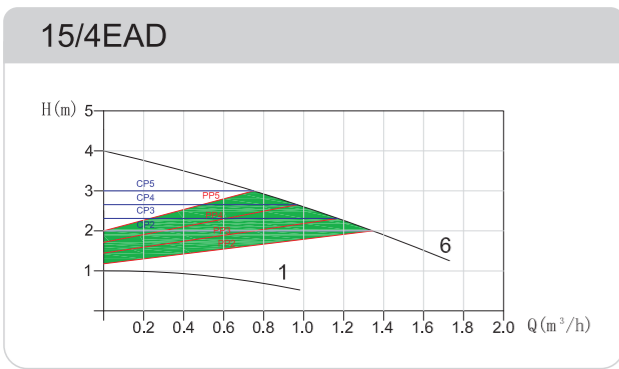
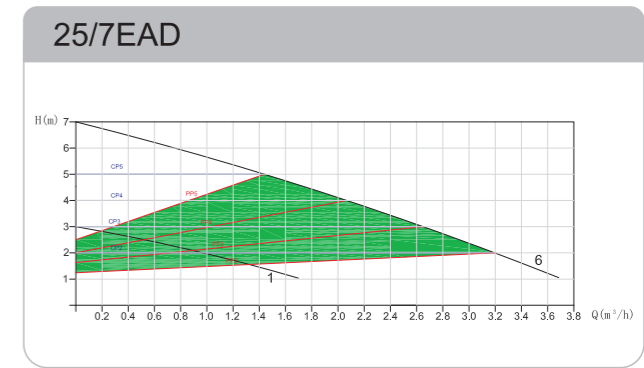
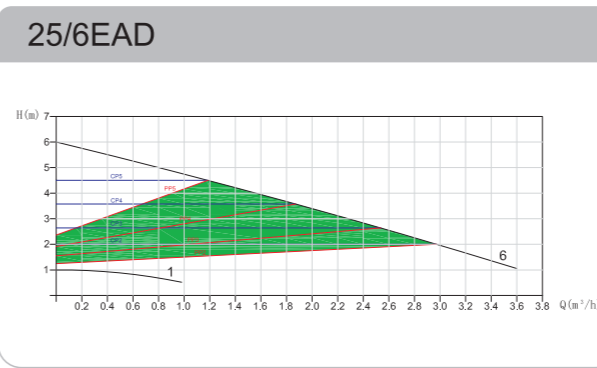
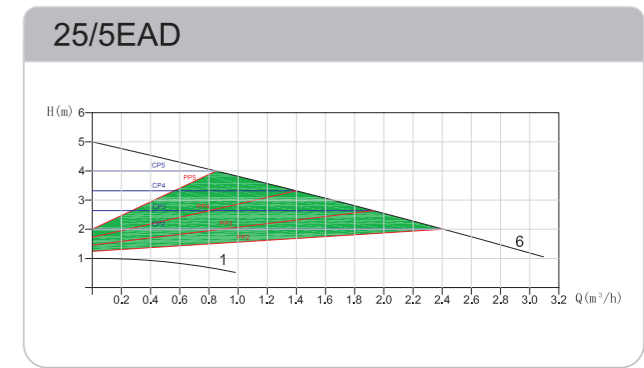
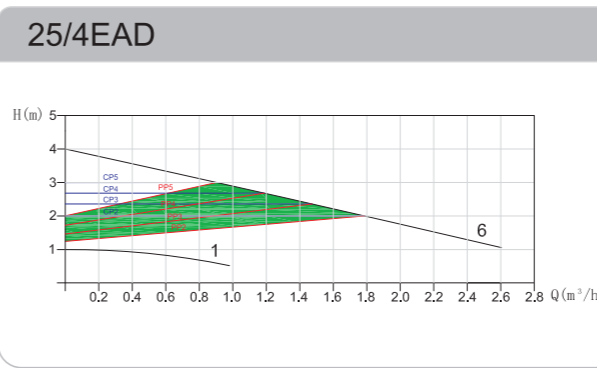
EAD Series High efficiency intelligent circulating pump



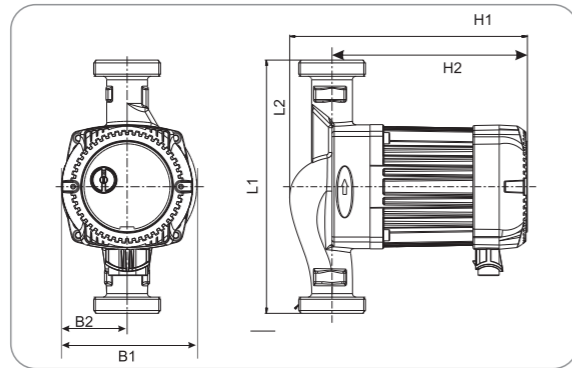
	Light in Air-vent (press setting Button for 5-6 seconds)	The pump vents air inside it under this mode
	Proportation pressure	The duty point of the pump will move up or down on the proportional-pressure curve, depending on heating demand. The head (pressure) is reduced at falling heating demand and increased at rising heating demand)
	Constant pressure	The duty point of the pump will move out or in constant-pressure curve, depending on the heating demand. The head (pressure) is kept constant, irrespective of the heating demand.
ECO	ECO mode	The duty point of the pump will move out or in constant-pressure curve, depending on the heating demand. The head (pressure) is kept constant, irrespective of the heating demand.
I II III IV V VI	Light for each speed	The 6 lights are shown the different working conditions, Only under two modes(constant pressure and proportational pressure , these lights can be chosen)
	Button for setting	this button is used for setting the different speeds (lights in 1,2,3,4,5,6)for two modes. Using button, we can chose the speeds from Max. to Min.)
	Mode control button	The button is used for change the pumps' models, for example: from constant pressure to proportational pressure, or to ECO mode, also can for Air-venting mode.
88W	Power light	



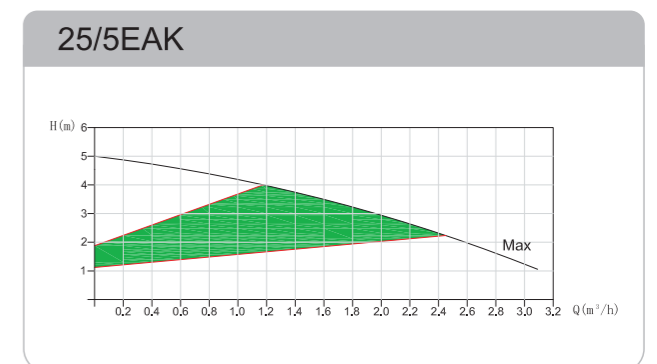
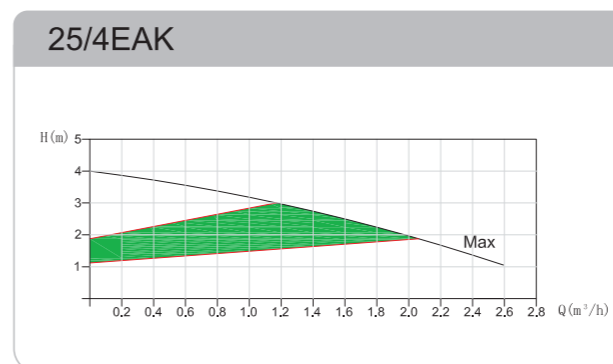
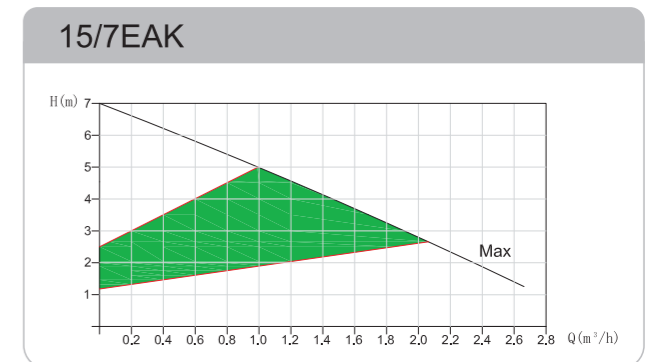
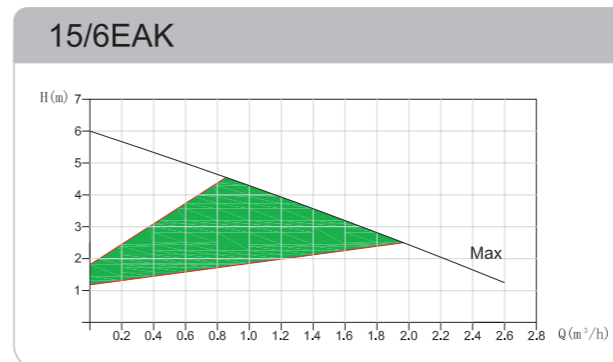
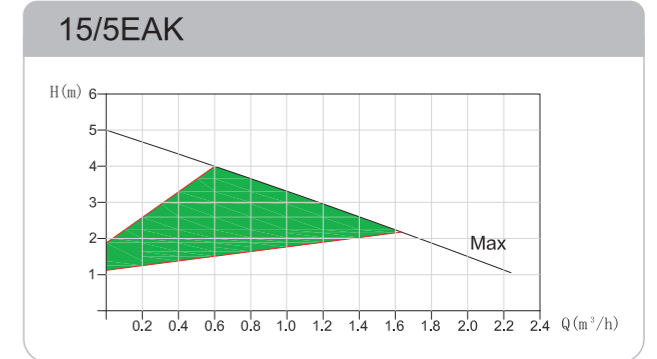
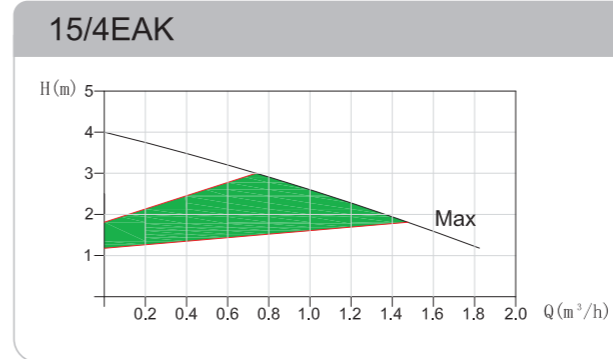
Model	Power (W)	Max.Flow (m³/h)	Max.Head (m)	Voltage (V)	Mater of pump body				Dimension(mm)							Weight (Kg)	
					Cast Iron	Plastic	Brass	Stainless steel	L1		L2	B1	B2	H1	H2		G
RS15/4EAD	5~22	1.8	4	220/50	●		●	●	130	180		96	46	169	139	1"	2.1
RS25/4EAD		2.6			●	●			96	46	169	139	1 1/2"	2.3			
RS32/4EAD		3			●	●			96	46	169	139	2"	2.4			
RS15/5EAD	5~32	2.3	5		●		●	●	130	180		96	46	169	139	1"	2.1
RS25/5EAD		3.1			●	●			96	46	169	139	1 1/2"	2.3			
RS32/5EAD		3.4			●	●			96	46	169	139	2"	2.4			
RS15/6EAD	5~45	2.4	6		●		●	●	130	180		96	46	169	139	1"	2.1
RS25/6EAD		3.6			●	●			96	46	169	139	1 1/2"	2.3			
RS32/6EAD		3.6			●	●			96	46	169	139	2"	2.5			
RS15/7EAD	5~47	2.7	7		●		●	●	130	180		96	46	169	139	1"	2.1
RS25/7EAD		3.7			●	●			96	46	169	139	1 1/2"	2.3			
RS32/7EAD		3.7			●	●			96	46	169	139	2"	2.4			



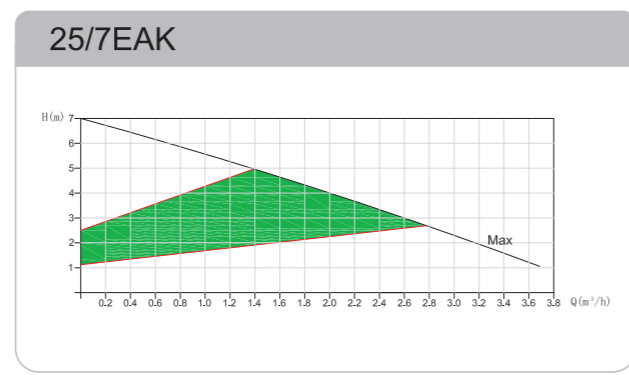
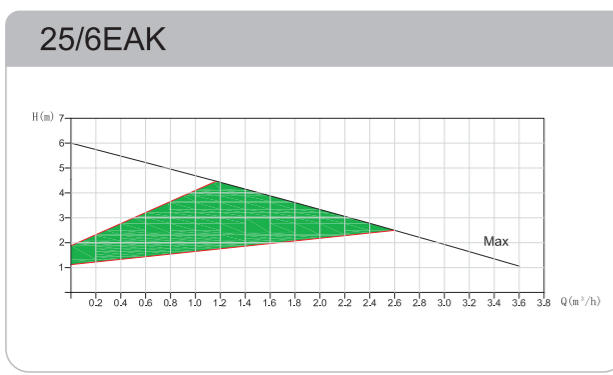
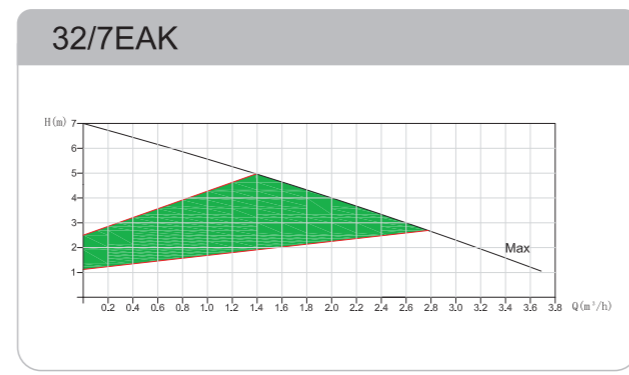
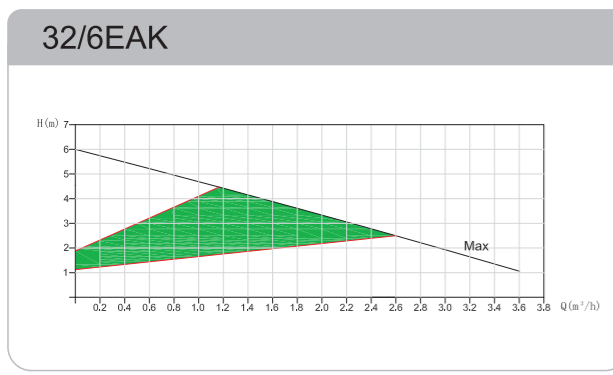
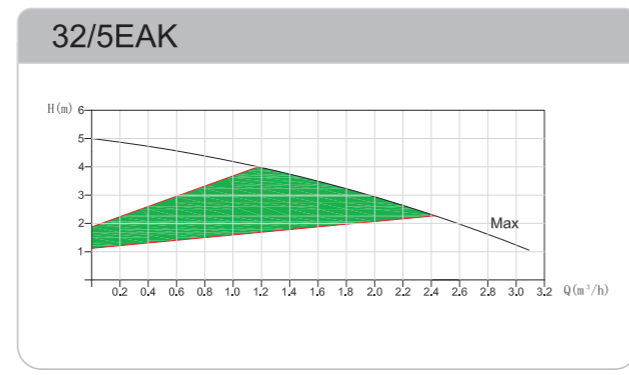
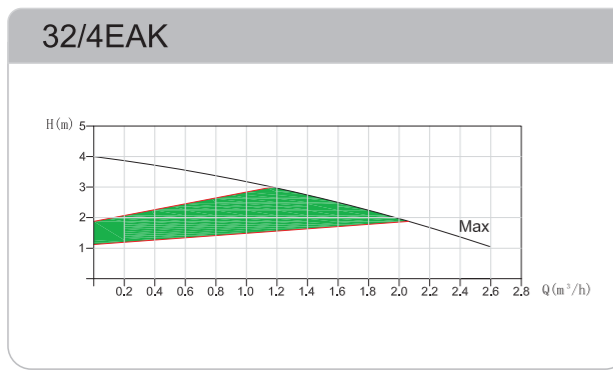
EAK Series High efficiency intelligent circulating pump








Model	Power (W)	Max.Flow (m³/h)	Max.Head (m)	Voltage (V)	Mater of pump body				Dimension(mm)							Weight (Kg)
					Cast Iron	Plastic	Brass	Stainless steel	L1		L2	B1	B2	H1	H2	
RS15/4EAK	5~22	1.8	4	220/50	●		●	●	130	180	96	46	169	139	1"	2.1
RS25/4EAK		2.6			●	●	90	96	46	169	139	1 1/2"	2.3			
RS32/4EAK		3			●	●	90	96	46	169	139	2"	2.5			
RS15/5EAK	5~32	2.3	5		●		●	●	130	180	96	46	169	139	1"	2.1
RS25/5EAK		3.1			●	●	90	96	46	169	139	1 1/2"	2.3			
RS32/5EAK		3.4			●	●	90	96	46	169	139	2"	2.5			
RS15/6EAK	5~45	2.4	6		●		●	●	130	180	96	46	169	139	1"	2.1
RS25/6EAK		3.6			●	●	90	96	46	169	139	1 1/2"	2.3			
RS32/6EAK		3.6			●	●	90	96	46	169	139	2"	2.5			
RS15/7EAK	5~47	2.7	7		●		●	●	130	180	96	46	169	139	1"	2.1
RS25/7EAK		3.7			●	●	90	96	46	169	139	1 1/2"	2.3			
RS32/7EAK		3.7			●	●	90	96	46	169	139	2"	2.5			

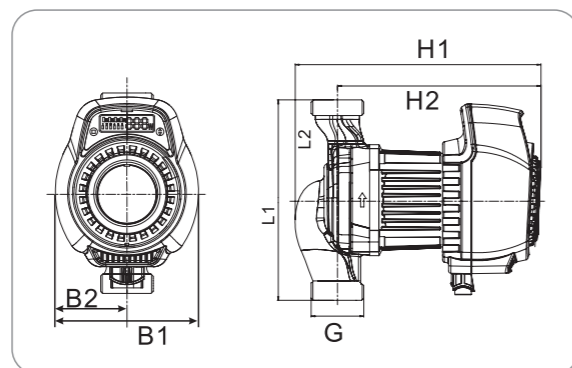
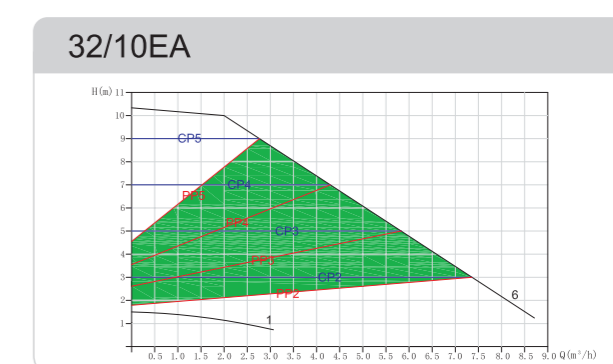
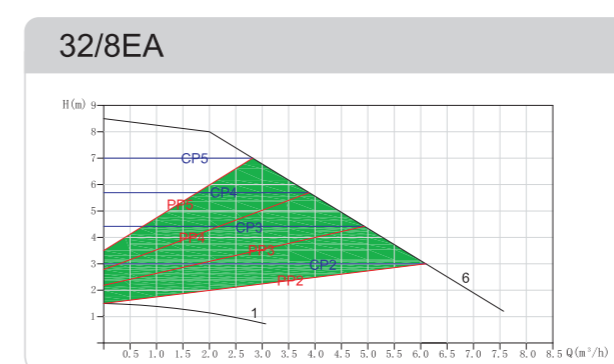
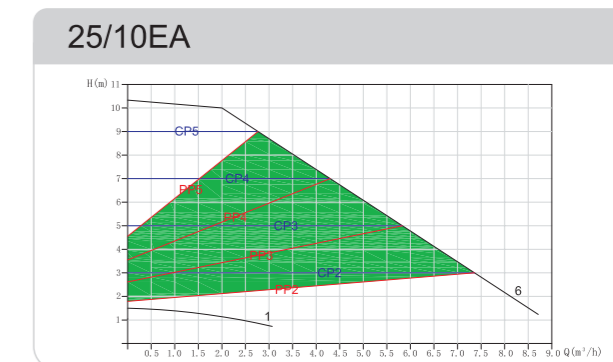
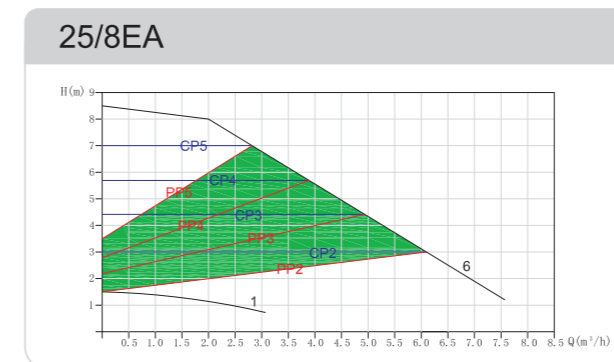


EA Series High efficiency intelligent circulating pump



Pos.		
1		Light in Constant Pressure
2		Light in Proportional Pressure
3		ECO mode
4		Light in Air-Vent (Press Setting Button for 5~6seconds)
5		Power Light
6		Button for change of control mode (The button is used for change the pumps modes, for example: from constant pressure to proportional pressure, or to ECO mode, also can for Air-venting mode.)
7		Light for each speeds (The 6 lights are shown the different working conditions. Only under two modes(constant pressure and proportional pressure, these lights can be chosen.)
8		Button for setting (This button is used for setting the different speeds(light in 1,2,3,4,5,6) for two modes. Using this button, we can chose the speeds from Max.to Min..)

Control Panel Pump Curve	Description
 CP2,CP3,CP4,CP5	The operating point moves back and forth on the curve according to the volume of flow from the system. As shown in the graph, the pump pressure remains constant, not affected by the volume demands of flow.
 CP1--Min. Speed CP6--Max.Speed	The two speeds are the Min. and Max. ones under constant pressure, the curve shown as in graph. can not keep constant. It rises and goes down as manual operation.
 PP2,PP3,PP4,PP5	The operating point moves back and forth on the proportional pressure curve according to the volume of flow from system. As shown in the graph. the pump pressure is directly proportional to the flow demands.
 CP1--Min. Speed CP6--Max.Speed	The two speeds are the Min. and Max. ones under proportional pressure, the curve shown as in graph. can not keep constant. It rises and goes down as manual operation.
 ECO	This mode use working as "auto adaptation". It confines the performance of the pumps in aimed scope. As shown in graph.: 1.Performance can be adjusted according to the scale of system 2.Performance can be adjusted according to the changing of load during a specific period. Under the mode of ECO", the pump is controlled by means of proportional pressure.

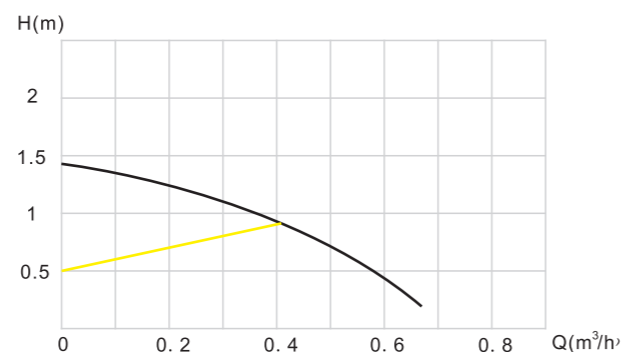


Model	Power (W)	Max.Flow (m³/h)	Max.Head (m)	Voltage (V)	Mater of pump body				Dimension(mm)							Weight(Kg)
					Cast Iron	Plastic	Brass	Stainless steel	L1	L2	B1	B2	H1	H2	G	
RS25/8EA	5~130	7.5	8	220/50	●				180	90	129	64.5	236	184	1 1/2"	3.3
RS32/8EA		7.8			●					180	90	129	64.5	236	184	2"
RS25/10EA	5~180	7.8	10		●				180	90	129	64.5	236	184	1 1/2"	3.3
RS32/10EA		8.0			●					180	90	129	64.5	236	184	2"



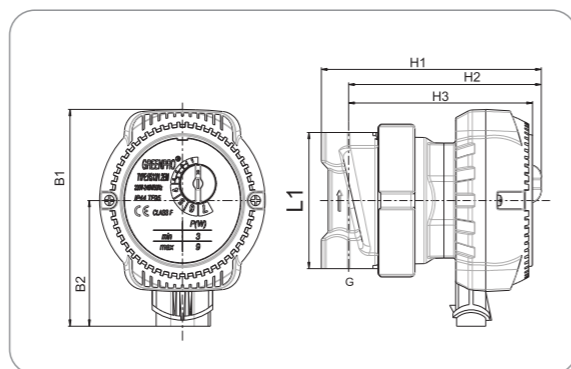
RS12/1.2EM

性能曲线 Performance curve

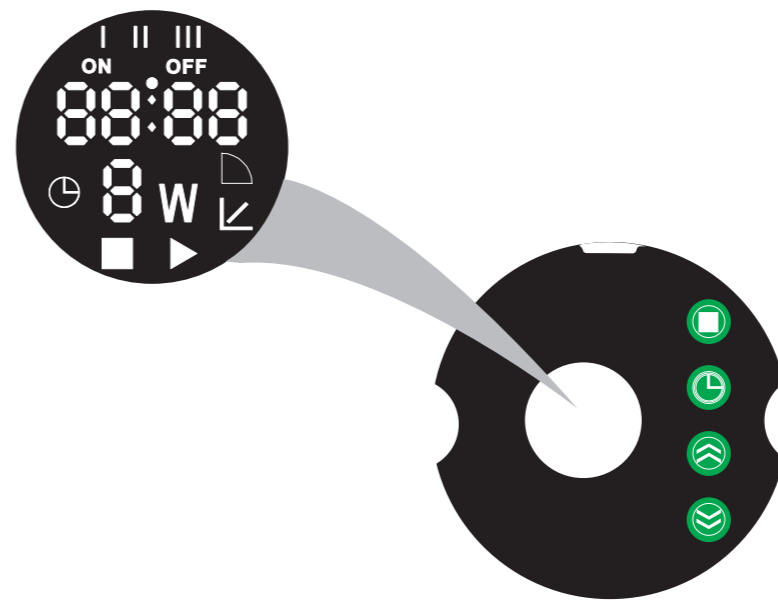


RS12/1.2EMB

安装尺寸 Installation dimension



Model	Power (W)	Max.Flow (m³/h)	Max.Head (m)	Voltage (V)	Mater of pump body				Dimension(mm)						Weight(Kg)	
					Cast Iron	Plastic	Brass	Stainless steel	L1	B1	B2	H1	H2	H3		G
RS12/1.2EM	9	0.6	1.2	220/50			●	●	72	103.5	60	113	99	94	1/2"	1.1
RS12/1.2EMB		0.6		220/60		●	●	72	101	65	126	112		1/2"	1.1	



- I II III** 时段和温度设置时显示，正常运行平时不显示，分别代表开启和停止的意思
Displayed during time setting, not displayed during normal operation, representing three time periods.
- ON OFF** 时段和温度设置时显示，正常运行平时不显示，分别代表开启和停止的意思
Displayed during time and temperature setting, not displayed during normal operation, representing start and stop
- 88:88** 设置时，通过按键显示温度和时间；工作时，自动切换显示温度和时间
When setting, display the temperature and time by pressing the button; Display the working time and temperature when working.
- ⊖** 显示时代表当前工作模式是时间温控模式
Display when under time and temperature control working mode.
- 8w** 显示工作功率
Display working power
- 水泵停机
Stop working
- ▶** 手动工作模式
Manual working mode
- ▶** 水泵工作
Pump working
- ⏴** 自动工作模式
Auto working mode

Note:



1. ON和OFF：表示开启和关闭，在设定时显示，ON 表示开启时间或温度，OFF 表示关闭时间或温度
2. 工作时，ON和OFF不显示，轮流显示当前时间和当前温度，显示间隔5S
3. 当3个时段设定时间都为0时，水泵只按照温度运行

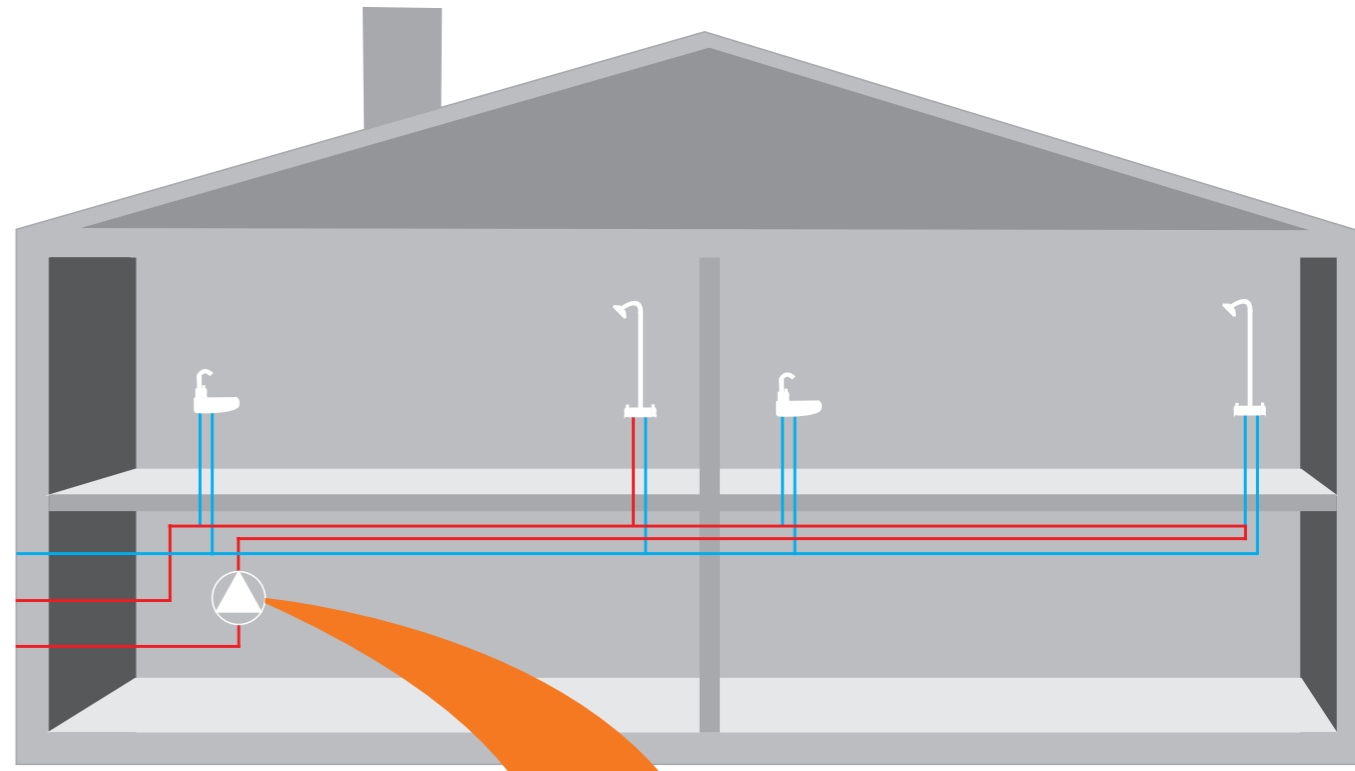
- 1.ON/OFF: for Time setting function: ON means start for time or temperature. OFF means stop for time and temperature.
- 2.Displayed during time and temperature setting, not displayed during normal operation, representing start and stop. But it will display the set Time and temperature in turn with a time interval of 5S.
- 3.If all three times setting periods are set with 0, the pump is working only based on temperature.

- 短按：工作档位切换
 长按3S：进入时段设定，进入后，短按一次切换设定项目，分别是开启温度，关闭温度再设置I时段开始和停止。以此类推，II跟III。 设定时10s无动作直接保存退出。
- 短按：时段工作模式切换
 长按5s：对时
- 短按：再设置状态下，对当前数值加1
 长按5S松开：屏蔽温度及温度有关的一切功能
- 短按：在设置状态下，对当前数值减1
 长按5s松开：强制水泵运行一次至停止温度
- Mode change Button:hold it in short time
 Functionsetting:hold it with 3s. Under this mode, hold this button in short time to function set:
 1. Temperature setting: Temperature on, Temperature off
 2. Time setting: Setting the Time for I:time for on and off then Time for II : time for on and off , at least is the time for III no operation for 10s, Pump will keep the funcnons above and log out this function
- Time mode change button: hold in short time
 Time correction: hold it in 5s
- Additional button: hold in short time to plus 1 under setting function
 Forbidden all functions for Temperature: hold it for 5s.
- Subtraction button: hold in short time to minus 1 under the setting function
 Forcen the pump to work until the setting Temperature for one time: hold it for 5s

工作原理：

1.开启温度<停止温度。水泵检测到当前温度低于开启温度，水泵开始工作至停止温度，停止后再次检测到当前温度低于开启温度后再次启动，依次循环例如：开始温度设定38℃，停止温度设定42℃，检测水温15℃，此时水泵开始工作一直到42℃，水泵停止，等温度重新下落至38℃后，水泵重新开始工作，如此循环。

Working Rule:
 1. Start Temperature < Stop Temperature: When the pump senses that the water temp. is lower than the Setting start Temp. it will start to work until the temperature rises to the setting stop temperature. It will repeat this work when water temperature is lower.
 For example: Start Temp: 38℃, Stop Temp.: 42℃, water temp.: 15℃. The pump works until water temp. reaches 42℃. It will restart when the water temp. is lower than 38℃.



Advantages

- Economical lower power consumption (5w-9w)
- Permanent magnet motor easy for clean and replacement
- Time and Temperature control system
- Special construction extremely silent



WGZ15/45EA

产品功能 Product functions

家用井水、自来水增压、生活热增压循环

屏蔽式结构可以有效的降低常规自吸泵使用时产生的噪音和漏水问题.也可以采用高低温水,发挥双向功能:自动增压循环系统.用户可以根据实际的使用情况,在同一台水泵进行增压跟循环的交换操作.

Household well water, tap water pressurization, domestic heating pressurization circulation.

Comparing to conventional self-priming pumps, the shielded structure can effectively reduce the noise and water leakage problems. High and low temperature water can also be used to play a two-way function: automatic booster circulation system. According to the actual usage, the user can perform the exchange of pressurization and circulation in the same water pump.

产品优势 Product advantage

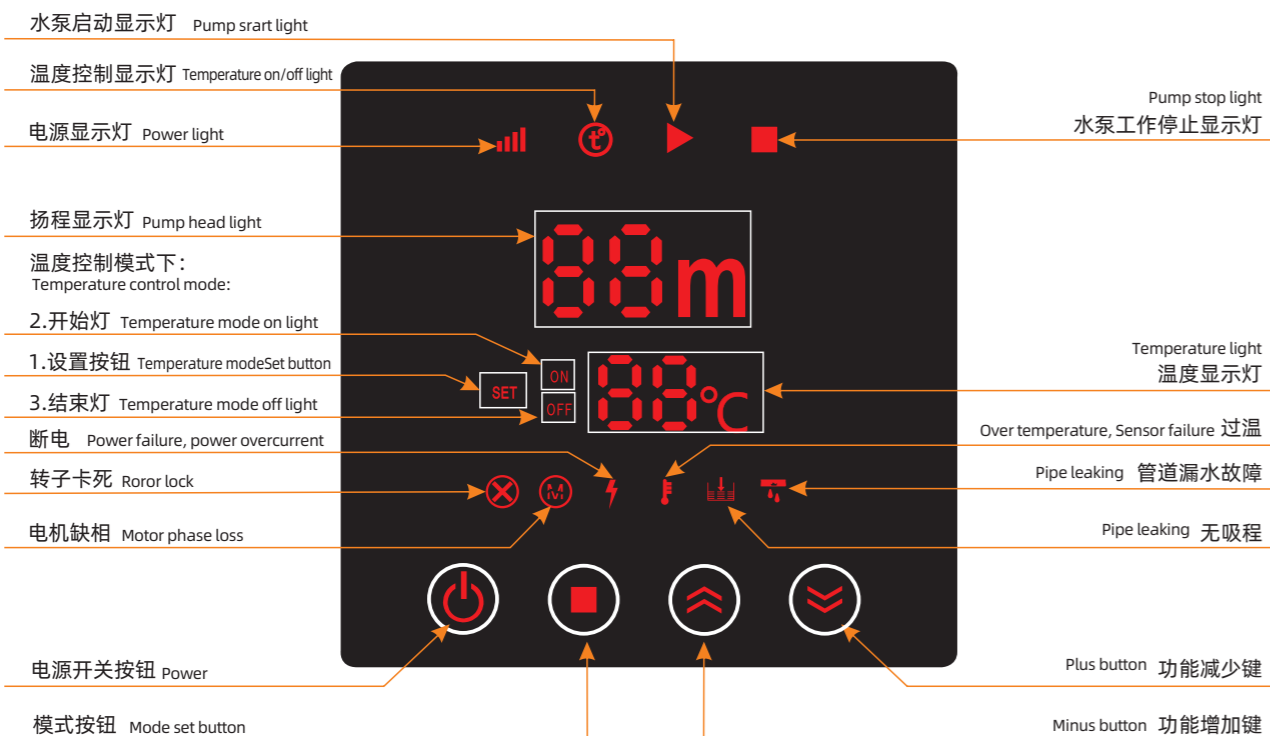
- 永磁电机 Permanent magnet motor
- 变频技术 Frequency conversion technology
- 温度控制 Temperature control
- 冷水热水同时使用---增压, 循环 Use hot and cold water at the same time- -pressurization and circulation.
- 保护功能:堵转保护,欠压保护,温度异常提醒,无水运转保护漏水保护 Protection functions: locked rotor protection, undervoltage protection, abnormal temperature reminder, waterless operation protection, water leakage protection
- Wifi功能 Wifi function
- 记忆功能 Memory function
- 恒压自动功能 Constant voltage automatic function

应用范围 Applications

此型号,可以适用家庭内各种用水,热水循环, 自来水增压, 园林灌溉,蔬菜大棚供水等。
This model can be used for all kinds of water using of household,hot water circulation, tap water pressurization, garden irrigation, vegetable greenhouse water supply, etc.

WGZ15/45EA可以根据用水需求自动调整水泵的功率扬程等,保持稳定的出水量。
WGZ15/45EA power and head can be automatically adjusted according to the water demand to maintain a stable water output.

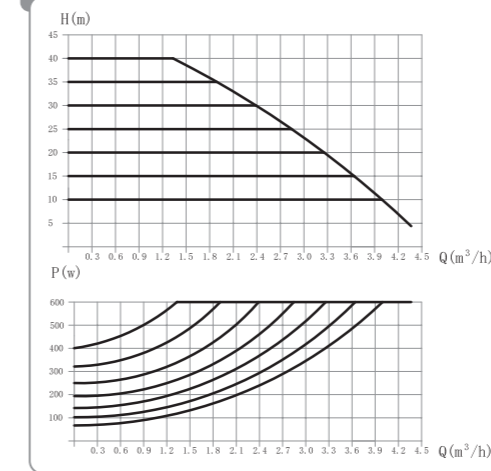
操作界面 Operation interface



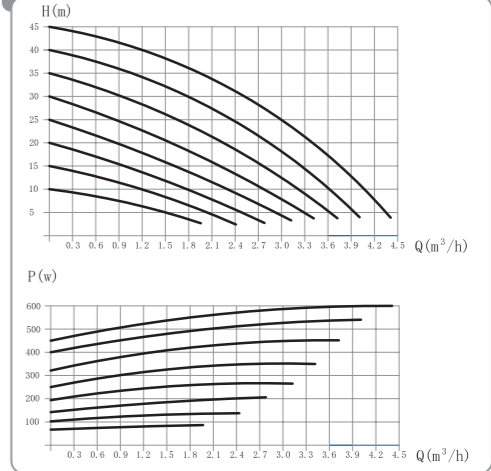
Model	Connection Size (Inch)	Rated flow (m ³ /h)	Rated head (m)	Max. Head (m)	Rated Power (W)	Input Power (W)
WGZ 15/45EA	1"	2.5	25	45	600	600

性能曲线 Performance curve

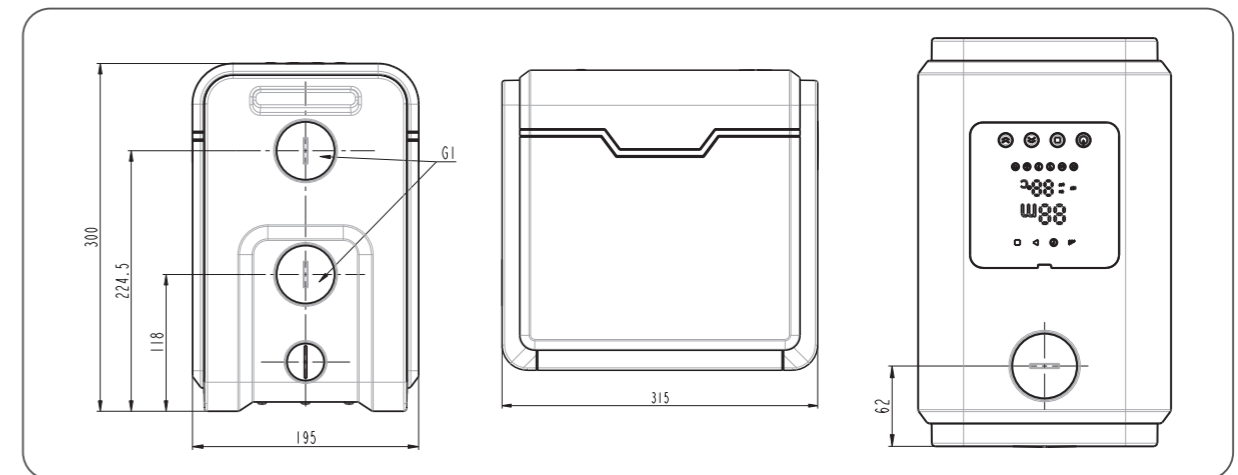
恒压模式 Constant pressure mode



自动模式 Automatic mode



安装尺寸 Installation dimension



温度 Temperature	°C	
环境温度 Ambient temperature	2~40	
液体温度 Liquid temperature	2~95	
⚠ 环境温度应始终低于液体温度, 否则定子外壳内可能会出现冷凝现象.如果环境温度过低, 应做好防冻工作, 不用时要将泵体内的积水排除, 防止冻裂. The ambient temperature should always be lower than the liquid temperature, otherwise condensation may occur in the stator housing. If the ambient temperature is too low, antifreeze work should be done, and the accumulated water in the pump body should be removed when not in use to prevent frost cracking.		
压力 pressure	bar	Mpa
最大系统压力 Maximum System pressure	10	1
最大进口压力 Maximum inlet pressure	3	0.3
⚠ 为避免气蚀产生噪音和损坏水泵轴承, 水泵的进口处需维持最小进口压力。 To avoid noise from cavitation and damage to pump bearings, a minimum inlet pressure must be maintained at the pump inlet.		
性能 Performance		
最大扬程 Maximum head	45m	
IP 等级 IP class	X4D (Outdoor installation)	
泵送液体 Pump liquid	清水 Clean water	



WGZ15/45EAB

产品功能 Product functions

家用井水、自来水增压、生活热增压循环

屏蔽式结构可以有效的降低常规自吸泵使用时产生的噪音和漏水问题,也可以采用高低温水,发挥双向功能:自动增压循环系统.用户可以根据实际的使用情况,在同一台水泵进行增压跟循环的交换操作.

Household well water, tap water pressurization, domestic heating pressurization circulation.

Comparing to conventional self-priming pumps, the shielded structure can effectively reduce the noise and water leakage problems. High and low temperature water can also be used to play a two-way function: automatic booster circulation system. According to the actual usage, the user can perform the exchange of pressurization and circulation in the same water pump.

产品优势 Product advantage

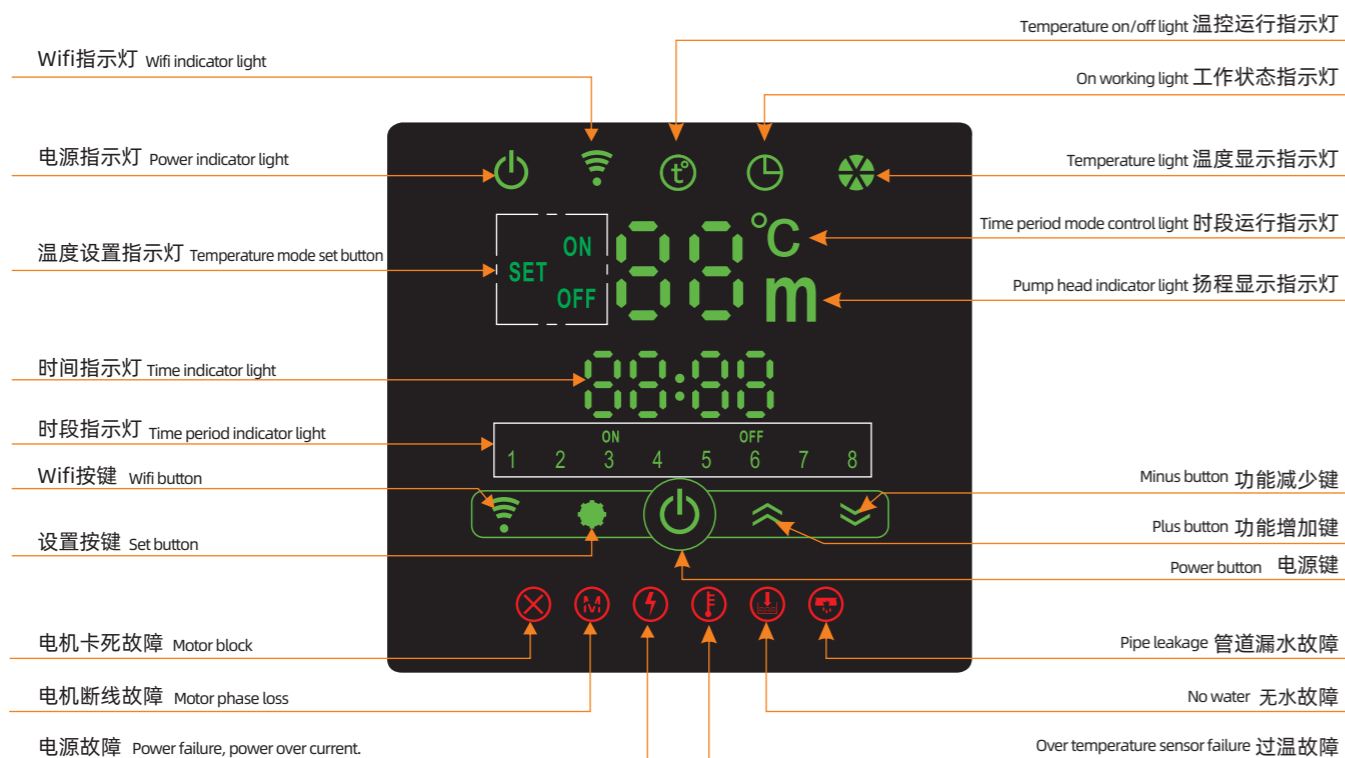
- 永磁电机 Permanent magnet motor
- 变频技术 Frequency conversion technology
- 温度控制 Temperature control
- 冷热水同时使用---增压, 循环 Use hot and cold water at the same time- -pressurization and circulation.
- 保护功能:堵转保护,欠压保护,温度异常提醒,无水运转保护漏水保护
Protection functions: locked rotor protection, undervoltage protection, abnormal temperature reminder, waterless operation protection, water leakage protection
- Wifi功能 Wifi function
- 记忆功能 Memory function
- 恒压自动功能 Constant voltage automatic function

应用范围 Applications

此型号,可以适用家庭内各种用水,热水循环, 自来水增压, 园林灌溉,蔬菜大棚供水等。
This model can be used for all kinds of water using of household,hot water circulation, tap water pressurization, garden irrigation, vegetable greenhouse water supply, etc.

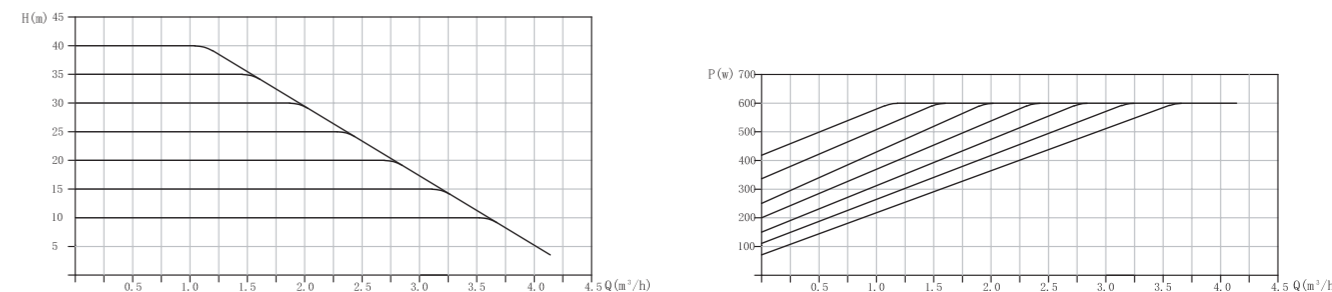
WGZ15/45EAB可以根据用水需求自动调整水泵的功率扬程等,保持稳定的出水量。
WGZ15/45EAB power and head can be automatically adjusted according to the water demand to maintain a stable water output.

操作界面 Operation interface

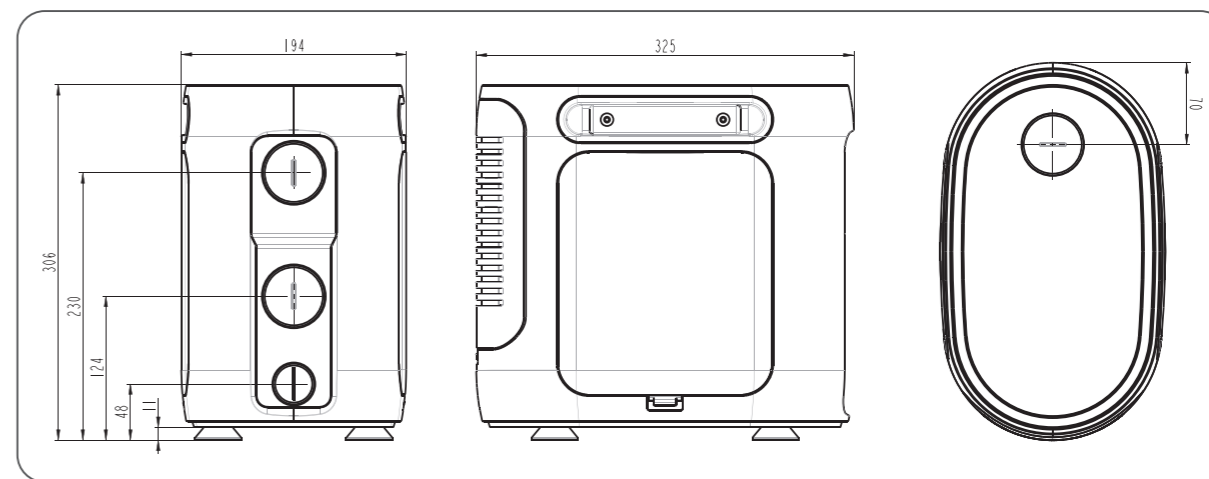


Model	Connection Size (Inch)	Rated flow (m ³ /h)	Rated head (m)	Max. Head (m)	Rated Power (W)	Input Power (W)
WGZ15/45EAB	1"	2.5	25	45	600	600

性能曲线 Performance curve



安装尺寸 Installation dimension



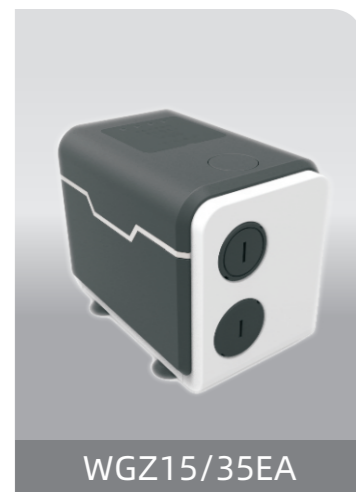
温度 Temperature	°C	
环境温度 Ambient temperature	2~40	
液体温度 Liquid temperature	2~95	

⚠ 环境温度应始终低于液体温度,否则定子外壳内可能会出现冷凝现象.如果环境温度过低,应做好防冻工作,不用时要将泵体内的积水排除,防止冻裂。
The ambient temperature should always be lower than the liquid temperature, otherwise condensation may occur in the stator housing. If the ambient temperature is too low, antifreeze work should be done, and the accumulated water in the pump body should be removed when not in use to prevent frost cracking.

压力 pressure	bar	Mpa
最大系统压力 Maximum System pressure	10	1
最大进口压力 Maximum inlet pressure	3	0.3

⚠ 为避免气蚀产生噪音和损坏水泵轴承,水泵的进口处需维持最小进口压力。
To avoid noise from cavitation and damage to pump bearings, a minimum inlet pressure must be maintained at the pump inlet.

性能 Performance	
最大扬程 Maximum head	45m
IP 等级 IP class	X4D (Outdoor installation)
泵送液体 Pump liquid	清水 Clean water



WGZ15/35EA

产品功能 Product functions

家用自来水增压、生活热水增压循环

屏蔽式结构可以有效的降低常规增压泵使用时产生的噪音和漏水问题,也可以采用高低温水,发挥双向功能:自动增压循环系统.用户可以根据实际的使用情况,在同一台水泵进行增压跟循环的交换操作.

Household well water, tap water pressurization, domestic heating pressurization circulation.

Comparing to conventional self-priming pumps, the shielded structure can effectively reduce the noise and water leakage problems. High and low temperature water can also be used to play a two-way function: automatic booster circulation system. According to the actual usage, the user can perform the exchange of pressurization and circulation in the same water pump.

产品优势 Product advantage

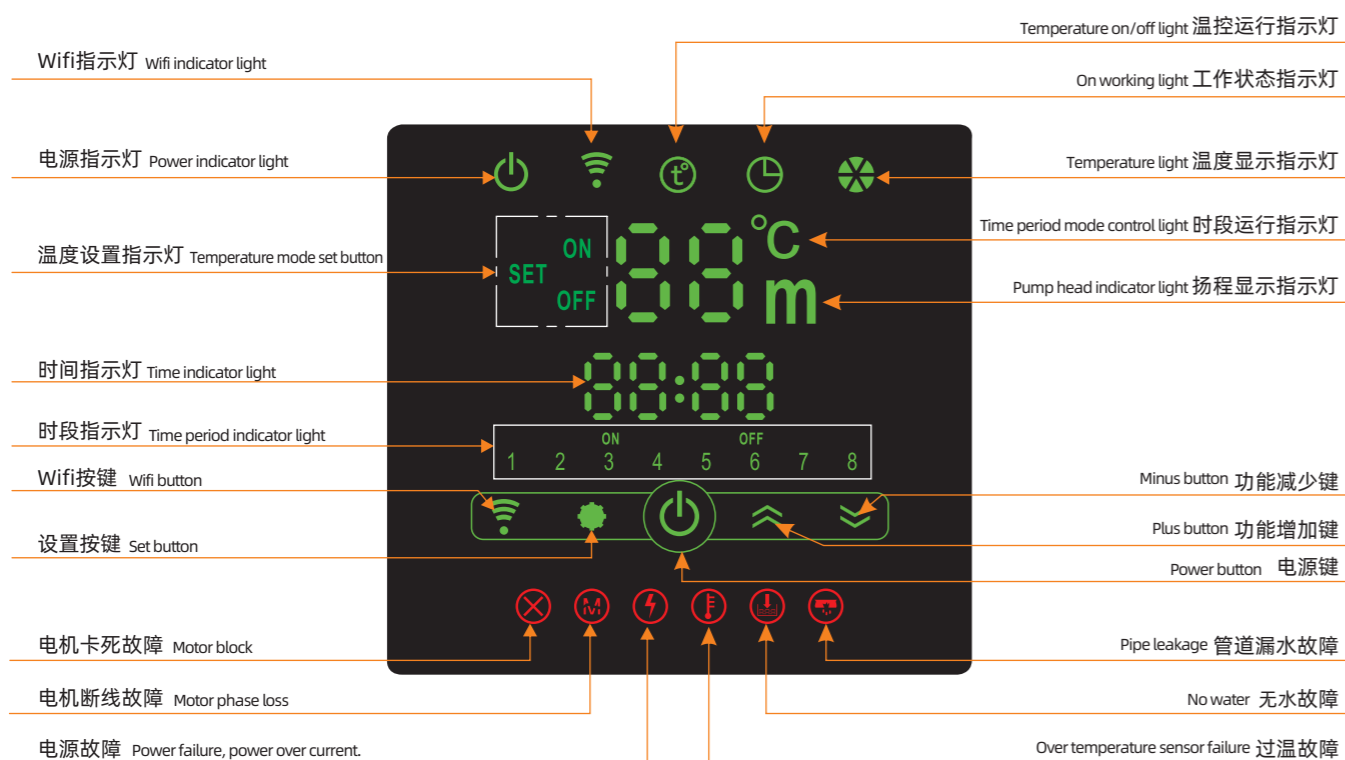
- 永磁电机 Permanent magnet motor
- 变频技术 Frequency conversion technology
- 温度控制 Temperature control
- 冷热水同时使用---增压, 循环 Use hot and cold water at the same time- -pressurization and circulation.
- 保护功能:堵转保护,欠压保护,温度异常提醒,无水运转保护漏水保护
Protection functions: locked rotor protection, undervoltage protection, abnormal temperature reminder, waterless operation protection, water leakage protection
- Wifi功能 Wifi function
- 记忆功能 Memory function
- 恒压自动功能 Constant voltage automatic function

应用范围 Applications

此型号,可以适用家庭内各种用水,热水循环, 自来水增压, 园林灌溉,蔬菜大棚供水等。
This model can be used for all kinds of water using of household,hot water circulation, tap water pressurization, garden irrigation, vegetable greenhouse water supply, etc.

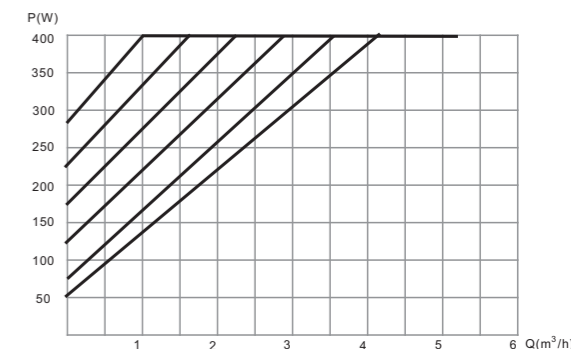
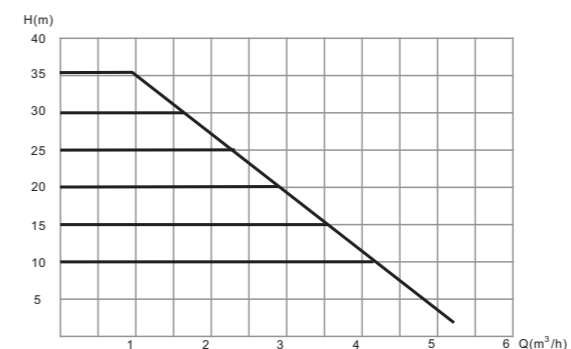
WGZ15/35EA可以根据用水需求自动调整水泵的功率扬程等,保持稳定的出水量。
WGZ15/35EA power and head can be automatically adjusted according to the water demand to maintain a stable water output.

操作界面 Operation interface

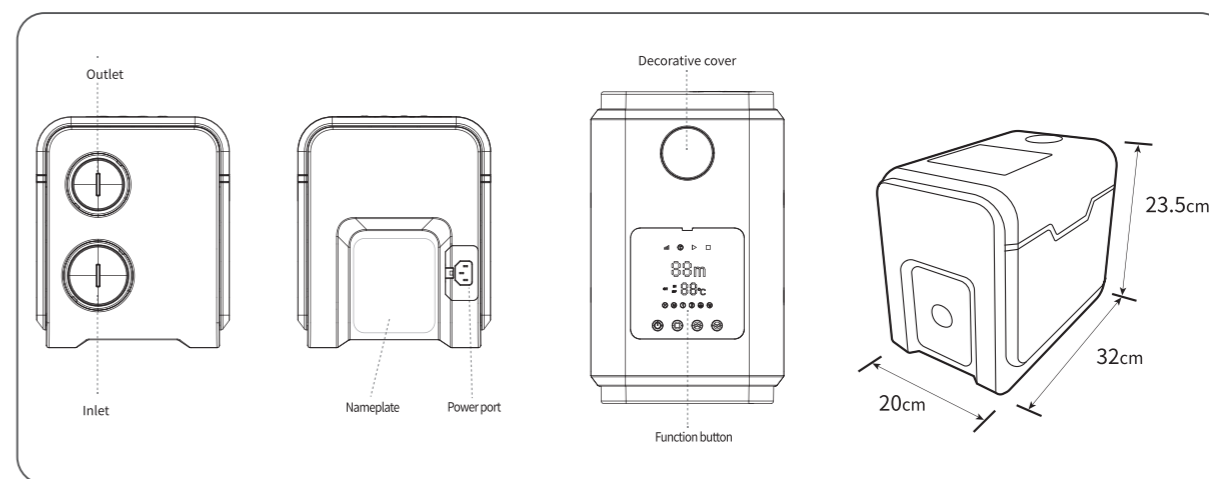


Model	Connection Size (Inch)	Rated flow (m ³ /h)	Rated head (m)	Max. Head (m)	Rated Power (W)	Input Power (W)
WGZ15/35EA	1"	2.2	25	35	400	400

性能曲线 Performance curve



安装尺寸 Installation dimension



温度 Temperature	°C	
环境温度 Ambient temperature	2~40	
液体温度 Liquid temperature	2~95	

⚠ 环境温度应始终低于液体温度,否则定子外壳内可能会出现冷凝现象.如果环境温度过低,应做好防冻工作,不用时要把泵体内的积水排除,防止冻裂。
The ambient temperature should always be lower than the liquid temperature, otherwise condensation may occur in the stator housing. If the ambient temperature is too low, antifreeze work should be done, and the accumulated water in the pump body should be removed when not in use to prevent frost cracking.

压力 pressure	bar	Mpa
最大系统压力 Maximum System pressure	10	1
最大进口压力 Maximum inlet pressure	3	0.3

⚠ 为避免气蚀产生噪音和损坏水泵轴承,水泵的进口处需维持最小进口压力。
To avoid noise from cavitation and damage to pump bearings, a minimum inlet pressure must be maintained at the pump inlet.

性能 Performance	
最大扬程 Maximum head	35m
IP 等级 IP class	X4D (Outdoor installation)
泵送液体 Pump liquid	清水 Clean water



WGZ15/35EAB

产品功能 Product functions

家用自来水增压、生活热水增压循环

屏蔽式结构可以有效的降低常规增压泵使用时产生的噪音和漏水问题.也可以采用高低温水,发挥双向功能:自动增压循环系统.用户可以根据实际的使用情况,在同一台水泵进行增压跟循环的交换操作。

Household well water, tap water pressurization, domestic heating pressurization circulation.

Comparing to conventional self-priming pumps, the shielded structure can effectively reduce the noise and water leakage problems. High and low temperature water can also be used to play a two-way function: automatic booster circulation system. According to the actual usage, the user can perform the exchange of pressurization and circulation in the same water pump.

产品优势 Product advantage

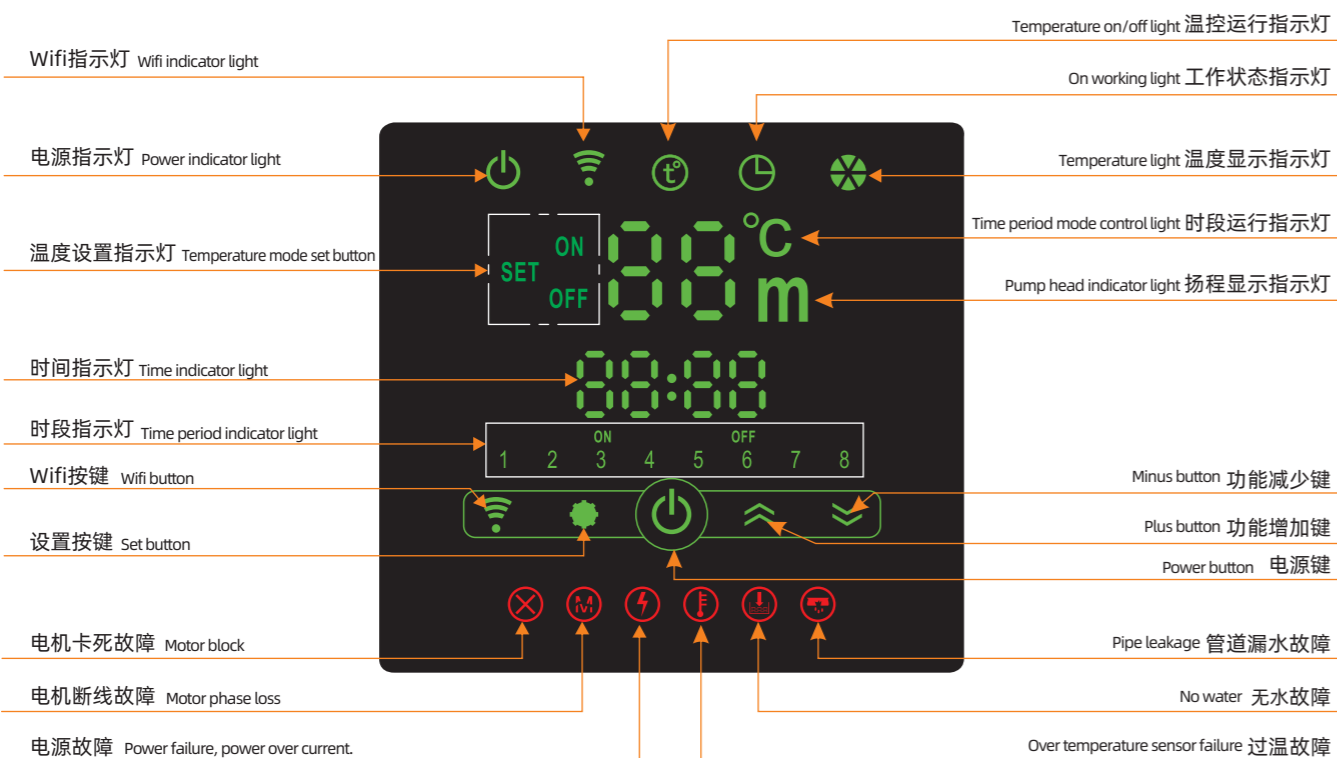
- 永磁电机 Permanent magnet motor
- 变频技术 Frequency conversion technology
- 温度控制 Temperature control
- 冷水热水同时使用---增压, 循环 Use hot and cold water at the same time- -pressurization and circulation.
- 保护功能:堵转保护,欠压保护,温度异常提醒,无水运转保护漏水保护
Protection functions: locked rotor protection, undervoltage protection, abnormal temperature reminder, waterless operation protection, water leakage protection
- Wifi功能 Wifi function
- 记忆功能 Memory function
- 恒压自动功能 Constant voltage automatic function

应用范围 Applications

此型号,可以适用家庭内各种用水,热水循环, 自来水增压, 园林灌溉,蔬菜大棚供水等。
This model can be used for all kinds of water using of household,hot water circulation, tap water pressurization, garden irrigation, vegetable greenhouse water supply, etc.

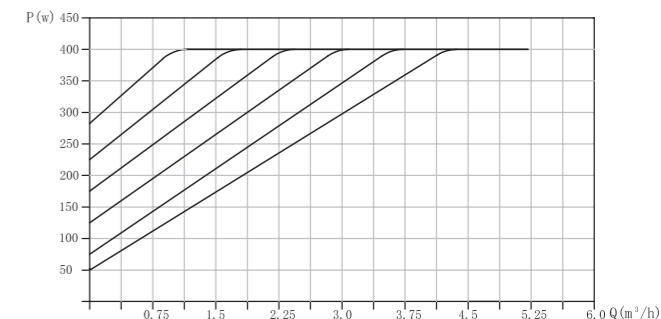
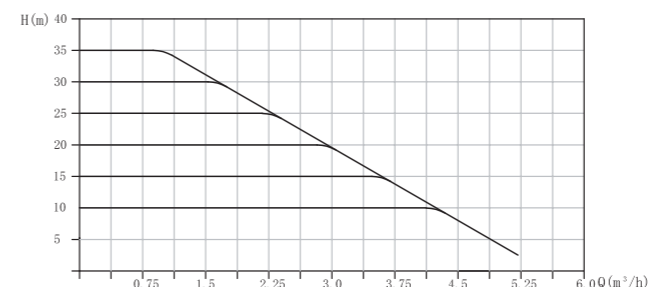
WGZ15/35EAB可以根据用水需求自动调整水泵的功率扬程等,保持稳定的出水量。
WGZ15/35EAB power and head can be automatically adjusted according to the water demand to maintain a stable water output.

操作界面 Operation interface

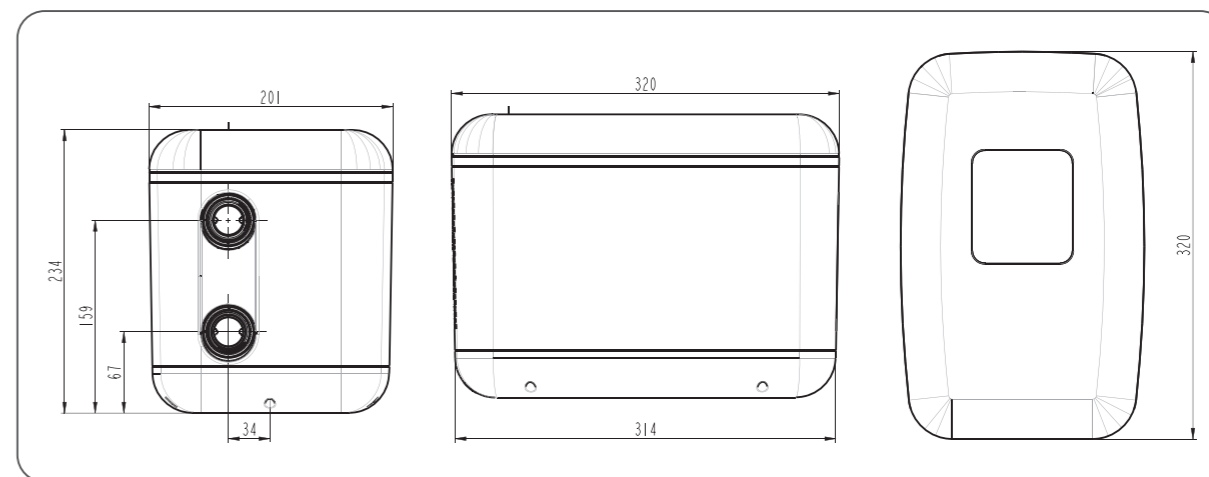


Model	Connection Size (Inch)	Rated flow (m ³ /h)	Rated head (m)	Max. Head (m)	Rated Power (W)	Input Power (W)
WGZ15/35EAB	1"	2.2	25	35	400	400

性能曲线 Performance curve



安装尺寸 Installation dimension



温度 Temperature	°C	
环境温度 Ambient temperature	2~40	
液体温度 Liquid temperature	2~95	

⚠ 环境温度应始终低于液体温度,否则定子外壳内可能会出现冷凝现象.如果环境温度过低,应做好防冻工作,不用时要将泵体内的积水排除,防止冻裂。
The ambient temperature should always be lower than the liquid temperature, otherwise condensation may occur in the stator housing. If the ambient temperature is too low, antifreeze work should be done, and the accumulated water in the pump body should be removed when not in use to prevent frost cracking.

压力 pressure	bar	Mpa
最大系统压力 Maximum System pressure	10	1
最大进口压力 Maximum inlet pressure	3	0.3

⚠ 为避免气蚀产生噪音和损坏水泵轴承,水泵的进口处需维持最小进口压力。
To avoid noise from cavitation and damage to pump bearings, a minimum inlet pressure must be maintained at the pump inlet.

性能 Performance	
最大扬程 Maximum head	35m
IP 等级 IP class	X4D (Outdoor installation)
泵送液体 Pump liquid	清水 Clean water



WGZ15/20EA

产品功能 Product functions

家用自来水增压、生活热水增压循环

屏蔽式结构可以有效的降低常规增压泵使用时产生的噪音和漏水问题.也可以采用高低温水,发挥双向功能:自动增压循环系统.用户可以根据实际的使用情况,在同一台水泵进行增压跟循环的交换操作.

Household well water, tap water pressurization, domestic heating pressurization circulation.

Comparing to conventional self-priming pumps, the shielded structure can effectively reduce the noise and water leakage problems. High and low temperature water can also be used to play a two-way function: automatic booster circulation system. According to the actual usage, the user can perform the exchange of pressurization and circulation in the same water pump.

产品优势 Product advantage

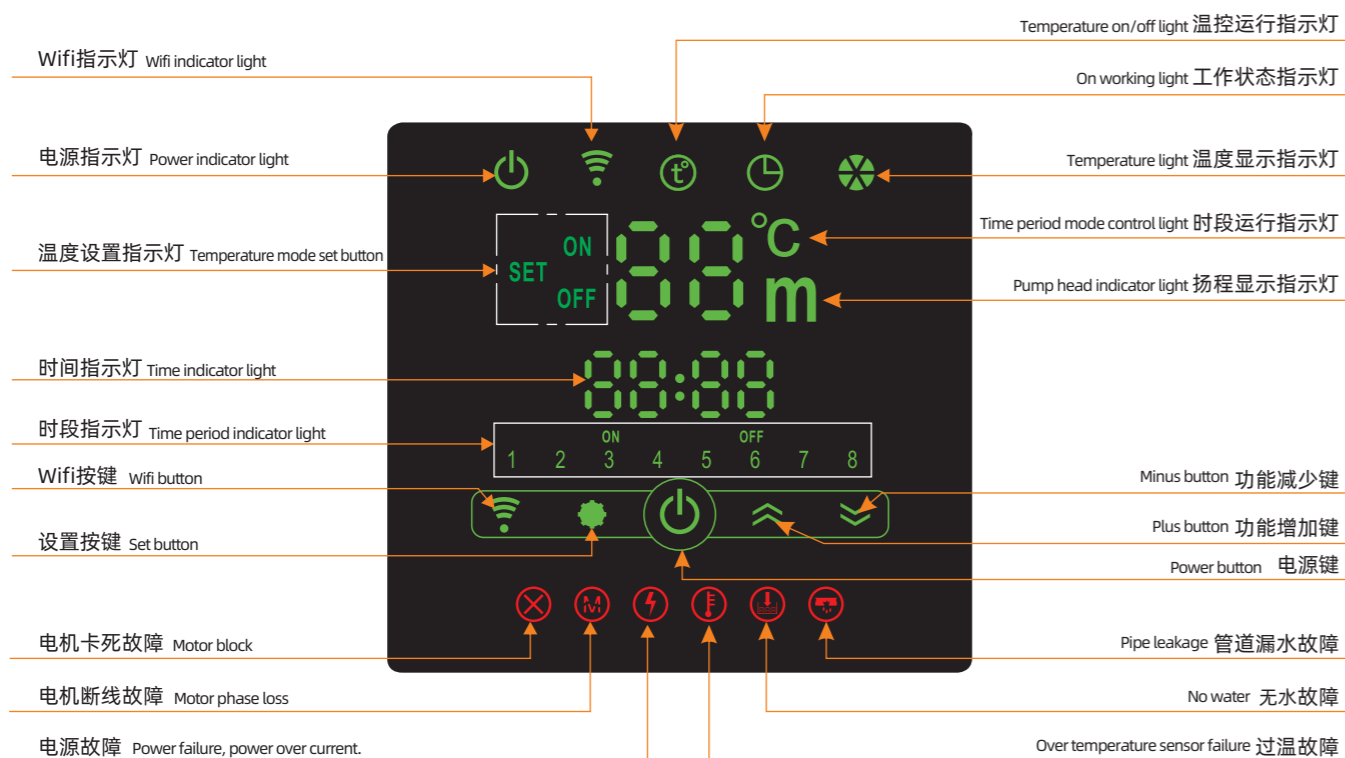
- 永磁电机 Permanent magnet motor
- 变频技术 Frequency conversion technology
- 温度控制 Temperature control
- 冷热水同时使用---增压, 循环 Use hot and cold water at the same time- -pressurization and circulation.
- 保护功能:堵转保护,欠压保护,温度异常提醒,无水运转保护漏水保护
Protection functions: locked rotor protection, undervoltage protection, abnormal temperature reminder, waterless operation protection, water leakage protection
- Wifi功能 Wifi function
- 记忆功能 Memory function
- 恒压自动功能 Constant voltage automatic function

应用范围 Applications

此型号,可以适用家庭内各种用水,热水循环,自来水增压,园林灌溉,蔬菜大棚供水等.
This model can be used for all kinds of water using of household, hot water circulation, tap water pressurization, garden irrigation, vegetable greenhouse water supply, etc.

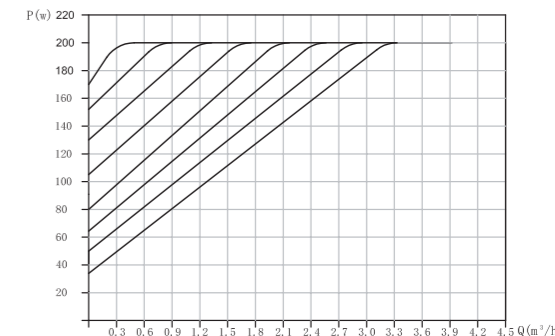
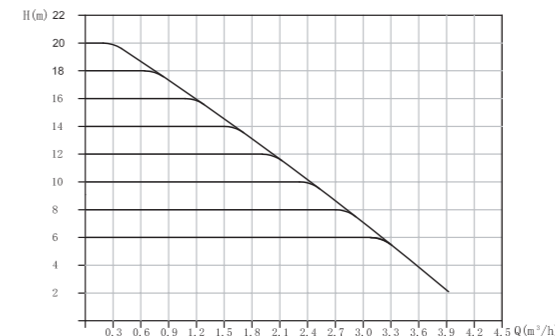
WGZ15/20EA可以根据用水需求自动调整水泵的功率扬程等,保持稳定的出水量.
WGZ15/20EA power and head can be automatically adjusted according to the water demand to maintain a stable water output.

操作界面 Operation interface

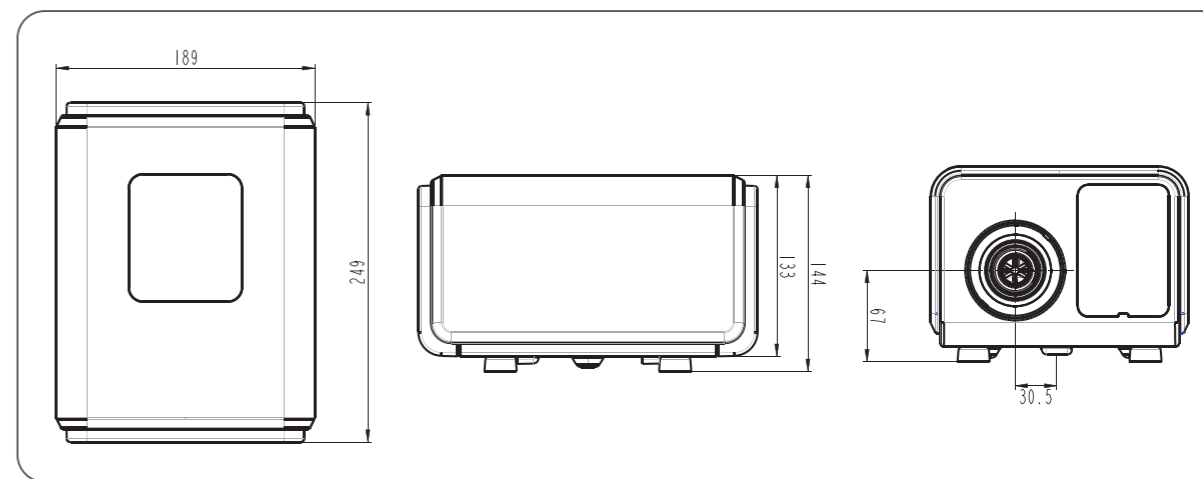


Model	Connection Size (Inch)	Rated flow (m ³ /h)	Rated head (m)	Max. Head (m)	Rated Power (W)	Input Power (W)
WGZ 15/20EA	1"	2.2	12	20	200	200

性能曲线 Performance curve



安装尺寸 Installation dimension



温度 Temperature	°C	
环境温度 Ambient temperature	2~40	
液体温度 Liquid temperature	2~95	

⚠ 环境温度应始终低于液体温度,否则定子外壳内可能会出现冷凝现象.如果环境温度过低,应做好防冻工作,不用时要将泵体内的积水排除,防止冻裂.
The ambient temperature should always be lower than the liquid temperature, otherwise condensation may occur in the stator housing. If the ambient temperature is too low, antifreeze work should be done, and the accumulated water in the pump body should be removed when not in use to prevent frost cracking.

压力 pressure	bar	Mpa
最大系统压力 Maximum System pressure	10	1
最大进口压力 Maximum inlet pressure	3	0.3

⚠ 为避免气蚀产生噪音和损坏水泵轴承,水泵的进口处需维持最小进口压力.
To avoid noise from cavitation and damage to pump bearings, a minimum inlet pressure must be maintained at the pump inlet.

性能 Performance	
最大扬程 Maximum head	20m
IP 等级 IP class	X4D (Outdoor installation)
泵送液体 Pump liquid	清水 Clean water



RS 600EA

产品特点 Product features

- 屏蔽泵、变频自适应、静音高效
Shielding pump, variable frequency adaptive, quiet and efficient

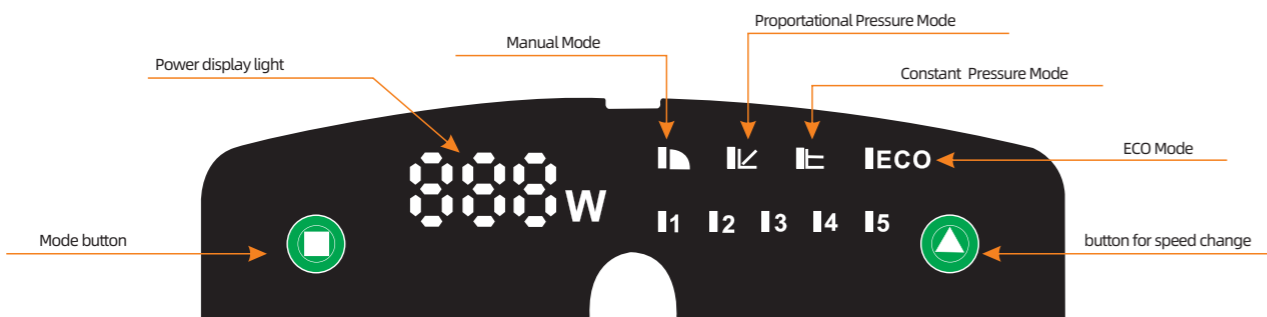
应用范围 Applications

- 空调、制冷二次系统 Air conditioning, refrigeration secondary system
- 二联供地暖循环 Combined heating and circulation

产品优势 Product advantage

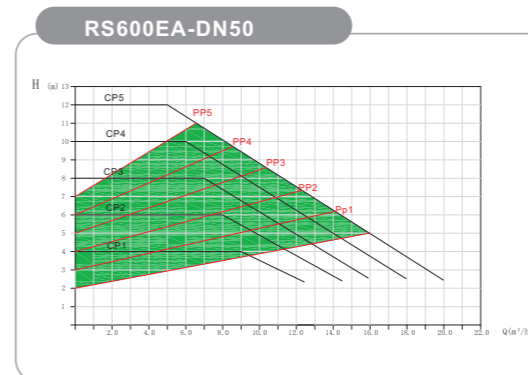
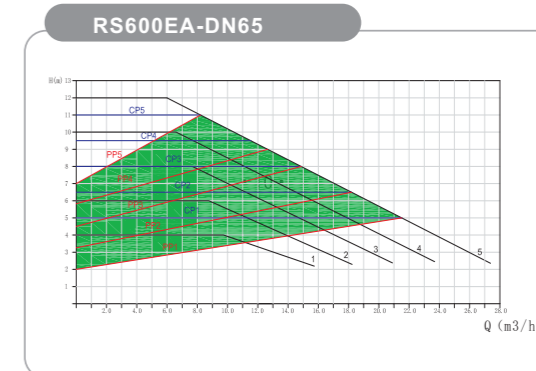
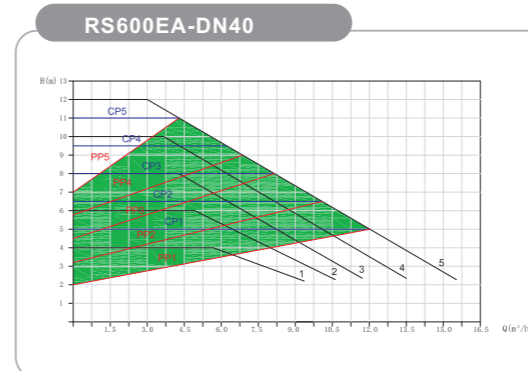
- 永磁电机 Permanent magnet motor
- 变频技术 Frequency conversion technology
- 冷热水同时使用---增压, 循环
Use hot and cold water at the same time- -pressurization and circulation.
- 保护功能: 堵转保护, 断路保护, 过热保护, 短路保护
Protection function: rotor locked protection, open circuit protection, overheat protection, short circuit protection.
- 记忆功能 Memory function
- 恒压自动功能 Constant voltage automatic function

操作界面 Operation interface

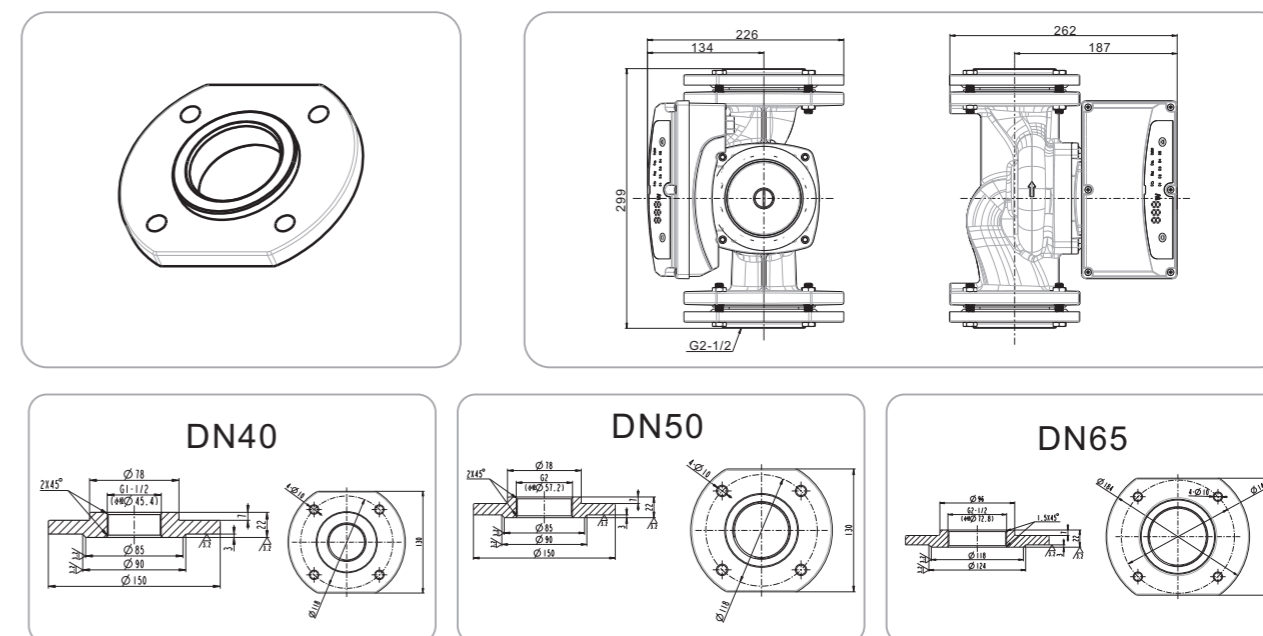


	手动模式	Manual Mode
	恒比例模式	Proportional Pressure Mode
	恒压模式	Constant Pressure Mode
	ECO 模式	ECO Mode
	速度档位显示灯	Light for each speeds
	功能按钮	Mode button
	增减按钮	Button for speed change
	功率显示灯	Power display Light

性能曲线 Performance curve



安装尺寸 Installation dimension



Model	Connection Size (Inch)	Rated flow (m ³ /h)	Rated head (m)	Max. Head (m)	Rated Power (W)	Input Power (W)
RS600EA-DN40	2"	22	8	12	600	600
RS600EA-DN50	2"	22	8	12	600	600
RS600EA-DN65	2"	22	8	12	600	600



RS 25/6EAY

产品特点 Product features

- 屏蔽泵、变频自适应、静音高效
Shielding pump, variable frequency adaptive, quiet and efficient

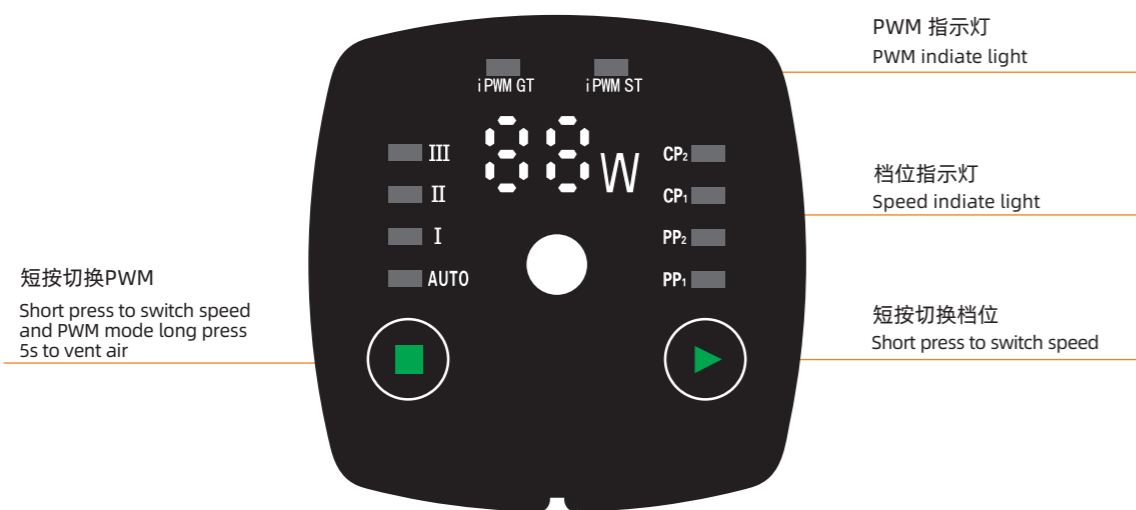
应用范围 Applications

- 空调、制冷二次系统 Air conditioning, refrigeration secondary system
- 二联供地暖循环 Combined heating and circulation

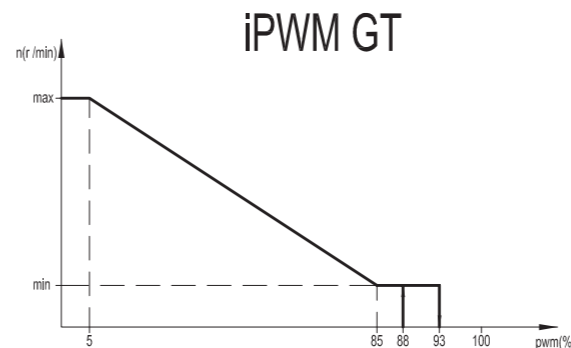
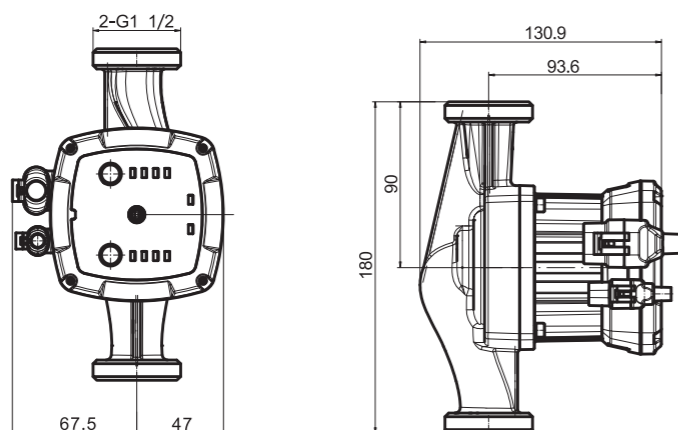
材质 Materials

- 泵体：铸铁 Pump body: cast iron
- 叶轮：PES Impeller: PES
- 轴套：陶瓷 Bearing: Ceramic
- 轴：陶瓷 Shaft: Ceramic
- 电机：国标H级高温铜线 Motor: International class H high temperature copper wire

操作界面 Operation interface

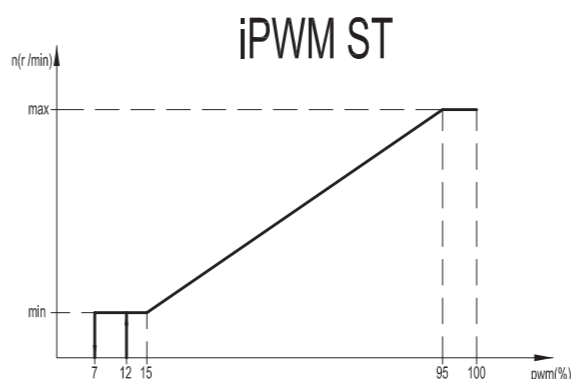


安装尺寸 Installation dimension



PWM sign input(%)

- <5: Pump runs at max speed
- 5-85: Pump linear runs from max to min
- 85-93: Pump runs at min speed (running)
- 85-88: Pump runs at min speed (start)
- 93-100: Pump stop



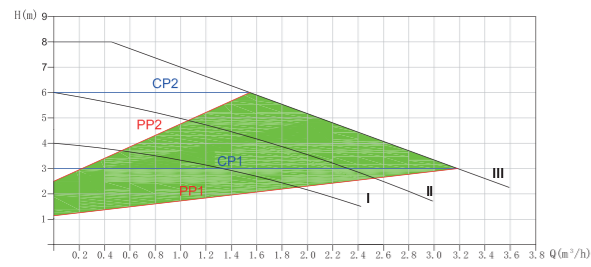
PWM sign input(%)

- <7: Pump stop
- 7-15: Pump runs at min speed (running)
- 12-15: Pump runs at min speed (start)
- 15-95: Pump linear runs from min to max
- >95: Pump runs at max speed

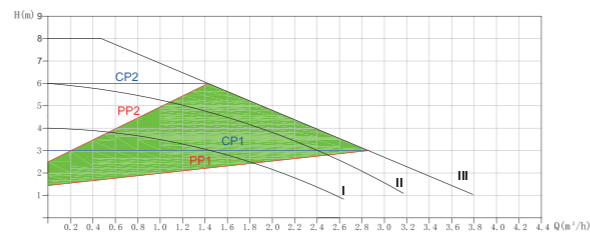
*The PWM could be customized for real application

Model	Power	Max.Flow	Max.Head	Voltage	Body Length		G
	(W)	(m ³ /h)	(m)		130	180	
RS15/4EAY-130	5-22	2.2	4	220/50	●		1"
RS25/4EAY-130		2.8			●	1 1/2"	
RS25/4EAY-180		3				●	1 1/2"
RS32/4EAY-180		3				●	2"
RS15/5EAY-130	5-32	2.6	5		●		1"
RS25/5EAY-130		3.2			●	1 1/2"	
RS25/5EAY-180		3.6				●	1 1/2"
RS32/5EAY-180		3.6				●	2"
RS15/6EAY-130	5-45	3	6		●		1"
RS25/6EAY-130		3.6			●	1 1/2"	
RS25/6EAY-180		4				●	1 1/2"
RS32/6EAY-180		4				●	2"
RS15/7EAY-130	5-52	3.6	7		●		1"
RS25/7EAY-130		3.8			●	1 1/2"	
RS25/7EAY-180		4.2				●	1 1/2"
RS32/7EAY-180		4.2				●	2"

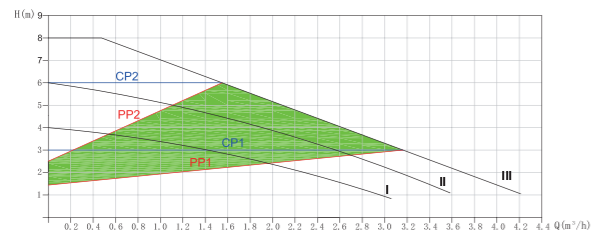
RS15/8EAY-130



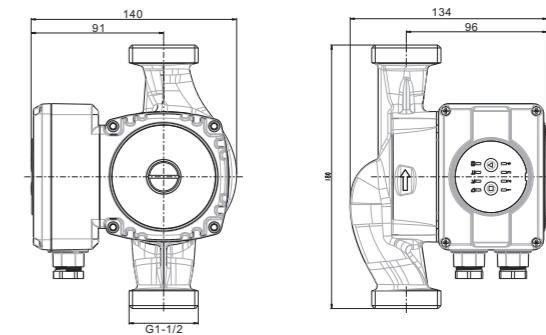
RS25/8EAY-130



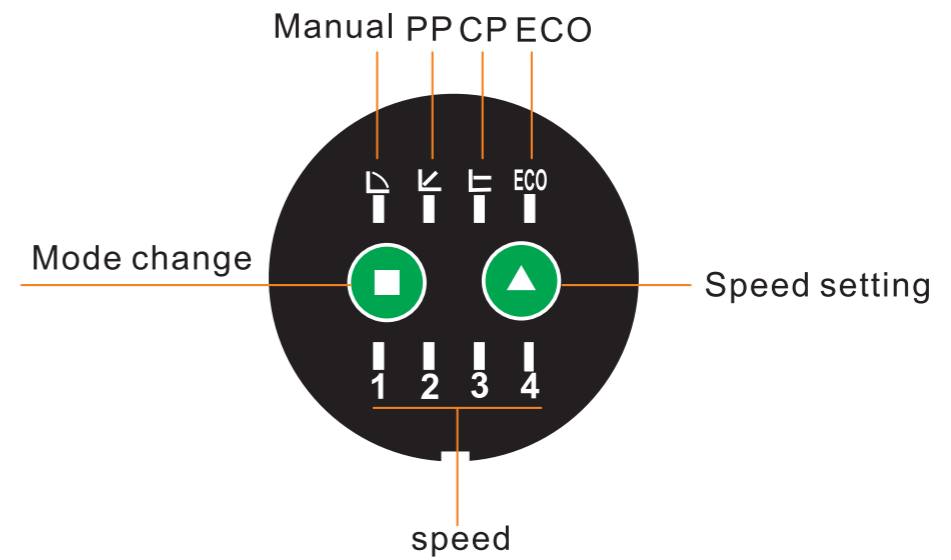
RS25/8EAY-180



安装尺寸 Installation dimension

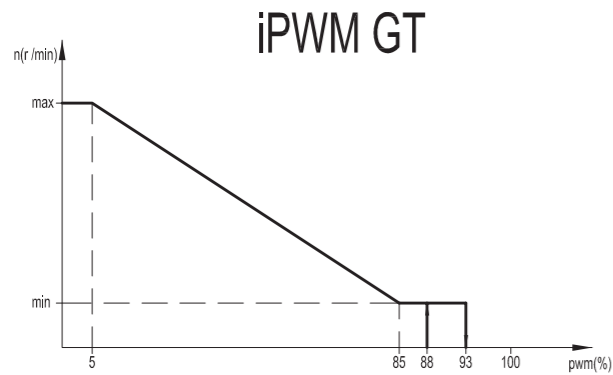


操作界面 Operation interface



Model	Power	Max.Flow	Max.Head	Voltage	Body Length		G
	(W)	(m ³ /h)	(m)		130	180	
RS25/8EAX	12~140	6.8	8	220/50	●	●	1 1/2"
RS25/10EAX			10		●	●	
RS25/12EAX			12		●	●	
RS32/8EAX	7.3	7.3	8			●	2"
RS32/10EAX			10			●	
RS32/12EAX			12			●	

PWM performance



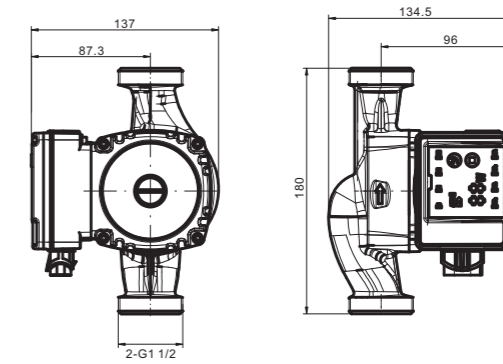
PWM sign input(%)

- <5: Pump runs at max speed
- 5-85: Pump linear runs from max to min
- 85-93: Pump runs at min speed (running)
- 85-88: Pump runs at min speed (start)
- 93-100: Pump stop

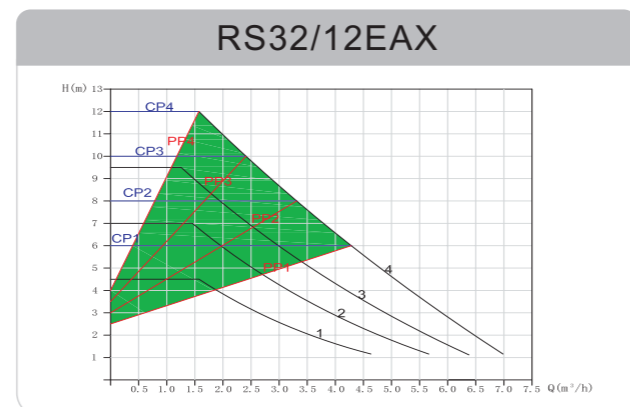
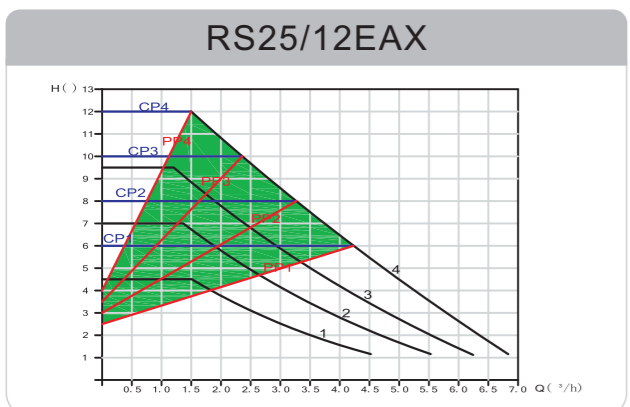
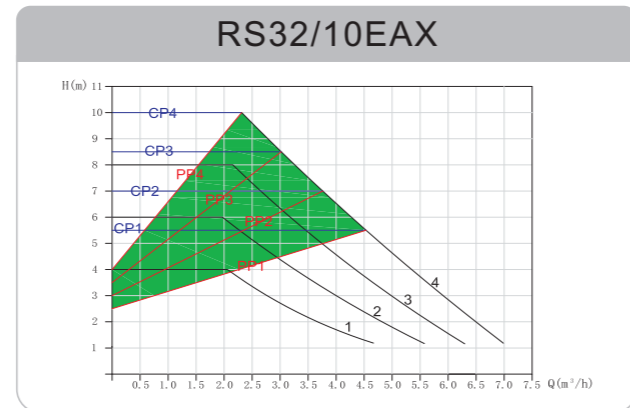
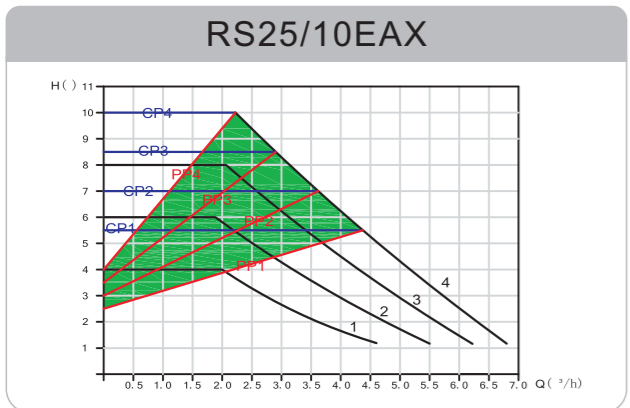
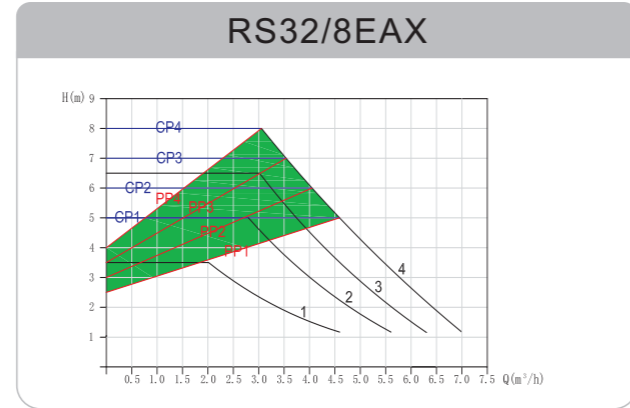
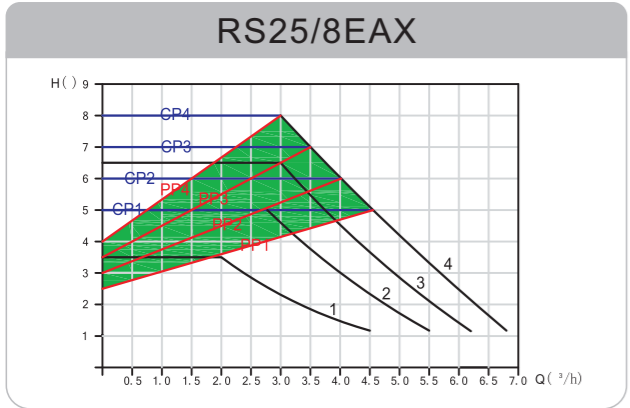
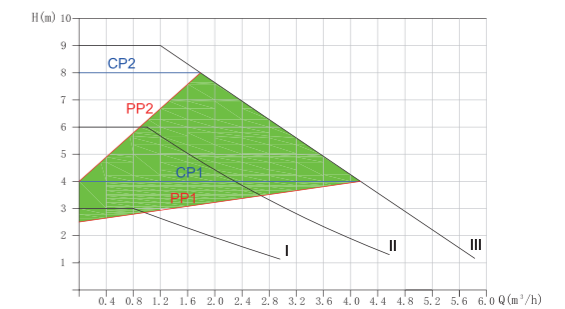
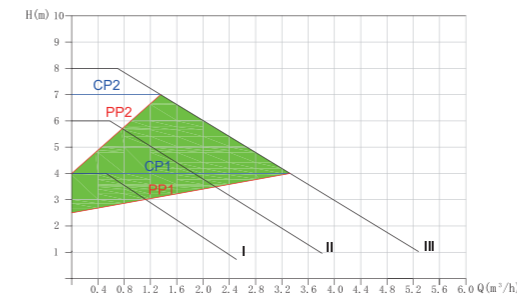
安装尺寸 Installation dimension



25/8EAX-A



性能曲线 Performance curve



Model	Power	Max.Flow	Max.Head	Voltage	Body Length		
	(W)	(m³/h)	(m)		130	180	G
RS25/8EAX-A	12~63	5.3	8	220/50	●	●	1 1/2"
RS25/9EAX-A			9		●	●	
RS32/8EAX-A	12~90	5.8	8	220/50	●	●	1 1/2"
RS32/9EAX-A			9		●	●	



RS25/8EAY-W



RS25/12EA-W

产品特点 Product features

- 电机采用BMC工艺
- 泵体采用不锈钢精密浇筑
- 物联网连接
- PCB完全聚氨酯灌胶
- 采用触摸按键
- 屏蔽泵、变频自适应、静音高效

1. Motor with BMC craft.
2. PCB be potted with Polyurethane
3. The pump body is made of stainless steel precision casting
4. Touching buttons
5. IoT (The Internet of Things) connection
6. Shielding pump, variable frequency adaptive, quiet and efficient

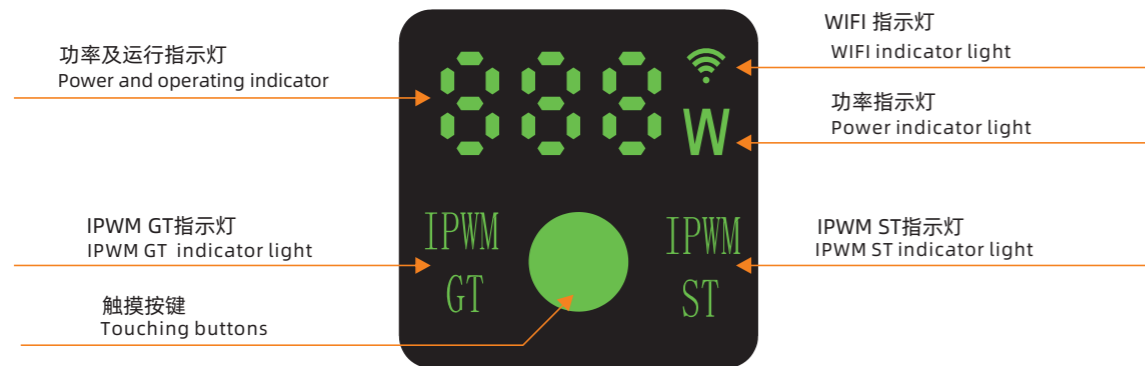
应用范围 Applications

- 空调、制冷二次系统
 - 二联供地暖循环
1. Air conditioning, refrigeration secondary system
 2. Combined heating and circulation

材质 Materials

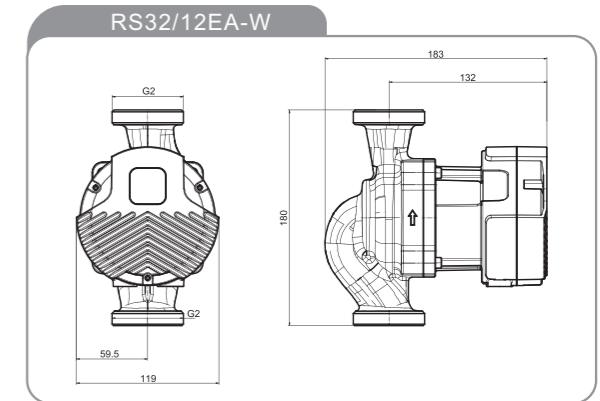
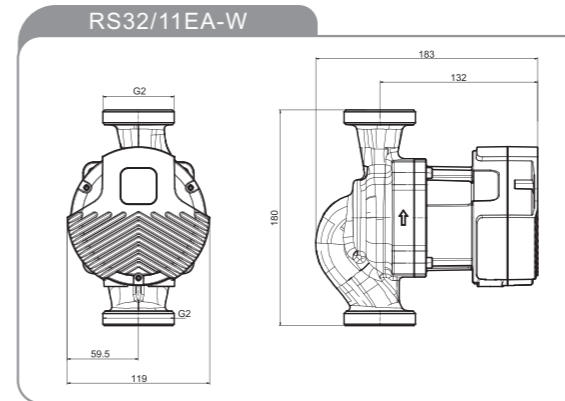
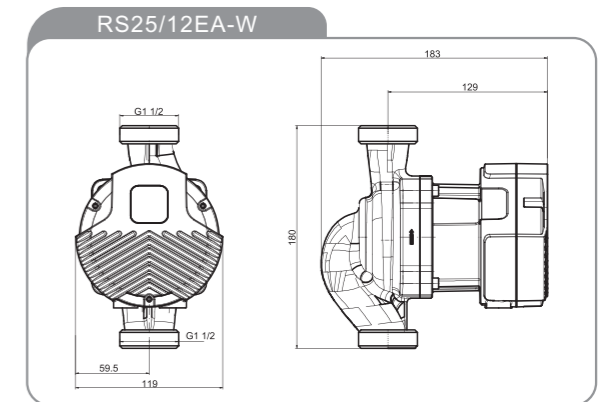
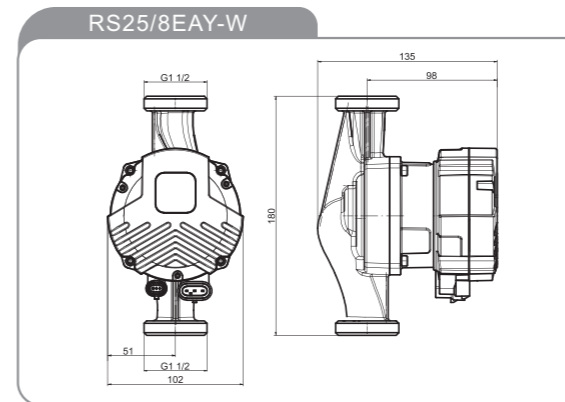
- 泵体：不锈钢
 - 叶轮：PES
 - 轴套：陶瓷
 - 轴：陶瓷
 - 电机：国标H级高温铜线
1. Pump body: cast iron
 2. Impeller: PES
 3. Bearing: Ceramic
 4. Shaft: Ceramic
 5. Motor: International class H high temperature copper wire

操作界面 Operation interface



Model	Power	Max.Flow	Max.Head	Voltage	Body Length		G
	(W)	(m ³ /h)	(m)		130	180	
RS25/8EAY-W	80	5.0	8	220/50	●	●	
RS25/12EA-W	230	9.2	12		●	●	
RS32/11EA-W	260	11.5	11			●	
RS32/12EA-W	360	13	12			●	

安装尺寸 Installation dimension



性能曲线 Performance curve

